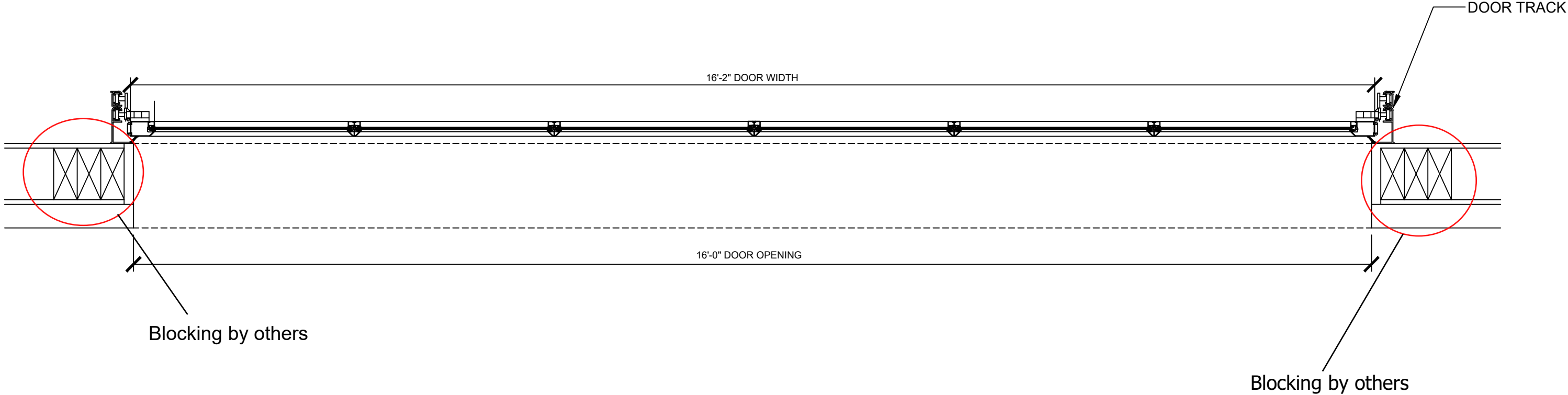


DOORWALL QUAD REPRESENTATIVE SHOP DRAWING




01 **DOOR PLAN**

SCALE: 1'-6" = 1'

Blocking can be wood or steel. Wood is preferred for this product.

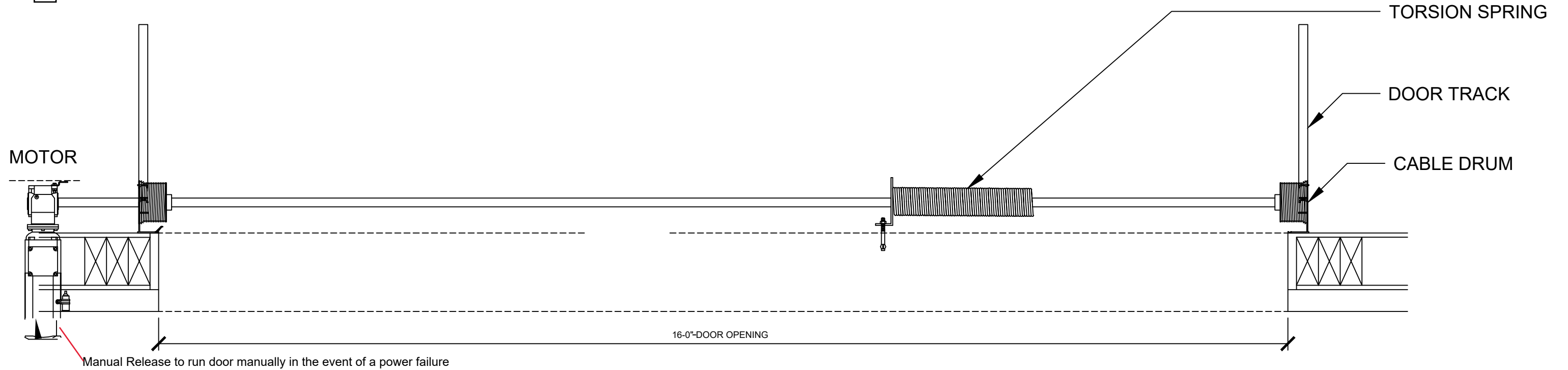
FINISH SCHEDULE
DOOR SECTION RAILS / STYLES: Powdercoat - 9002
TRACK SYSTEM ASSEMBLY: Powdercoat - 9002
WIDTH-16'-0" HEIGHT - 10'-0"

THE DESIGNS AND DETAILS HEREIN ARE THE PROPERTY OF DOORWALL SYSTEMS CORPORATION. USE IS GRANTED FOR THE SOLE PURPOSE OF INTEGRATION OF OUR PRODUCT INTO YOUR PROJECT. BASED ON MFG. ALLOWABLE TOLERANCES.

 P.O. Box 8337 Warwick, RI 02888 Phone: 844-492-7233 info@doorwallsystems.com	Project:	SAMPLE
	Architect:	-
	Drawn By:	
	Date:	January 1, 2024
	Revision No.	1.0
	Project No.	-
Scale		

DOORWALL QUAD REPRESENTATIVE SHOP DRAWING

120V AC, 60hz
OUTLET FOR
MOTOR, by
others



02

DOOR & MOTOR PLAN

SCALE: 1'-6" = 1'

Motor can be positioned on either side of opening.

Low voltage wiring to activation button and photo-eyes by others.

FINISH SCHEDULE

DOOR SECTION RAILS /
STYLES: Powdercoat - 9002

TRACK SYSTEM ASSEMBLY:
Powdercoat - 9002

WIDTH-16'-0"
HEIGHT - 10'-0"

THE DESIGNS AND DETAILS HEREIN ARE THE PROPERTY OF DOORWALL SYSTEMS CORPORATION. USE IS GRANTED FOR THE SOLE PURPOSE OF INTEGRATION OF OUR PRODUCT INTO YOUR PROJECT. BASED ON MFG. ALLOWABLE TOLERANCES.

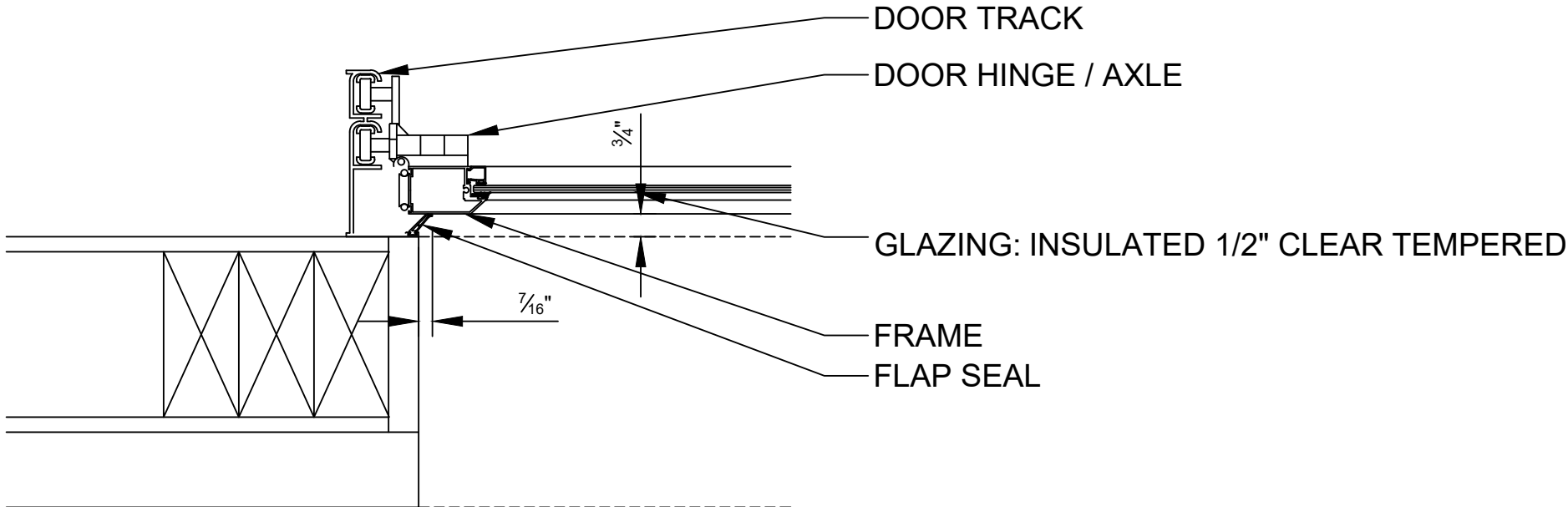


P.O. Box 8337
Warwick, RI 02888
Phone: 844-492-7233
info@doorwallsystems.com

Project:	SAMPLE
Architect:	-
Drawn By:	
Date:	January 1, 2024
Revision No.	1.0
Project No.	-
Scale	'

DOORWALL QUAD

REPRESENTATIVE SHOP DRAWING



03

DOOR JAMB DETAIL

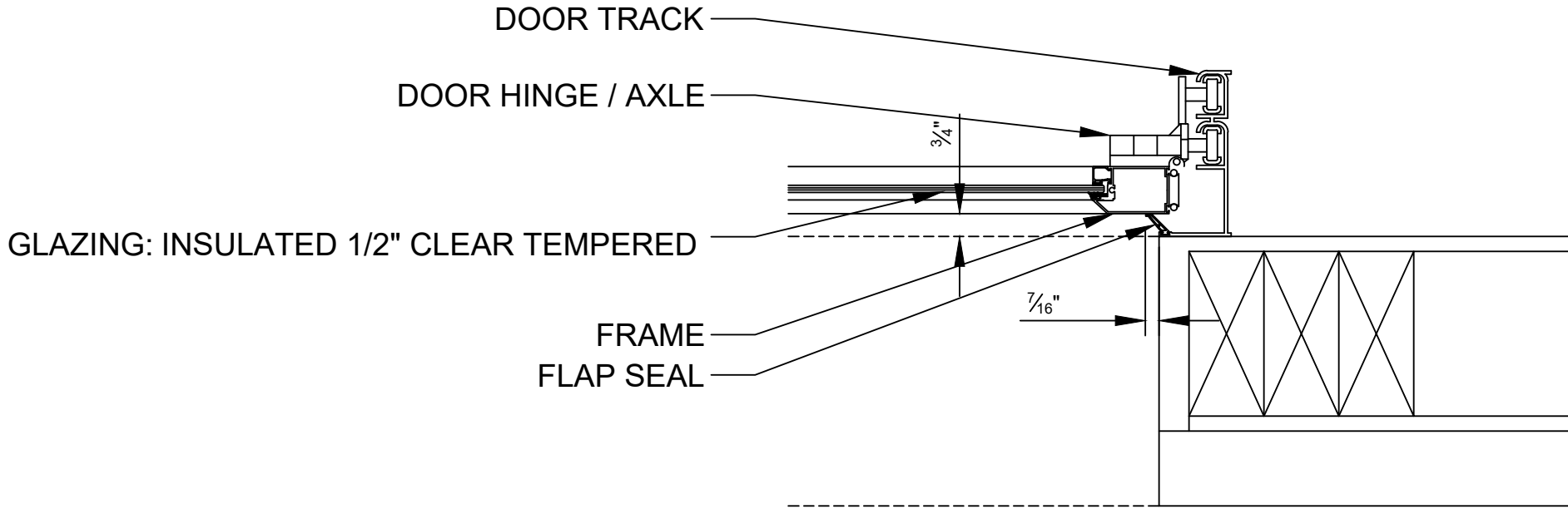
SCALE: 1'-6" = 1'

<p>FINISH SCHEDULE</p> <p>DOOR SECTION</p> <p>RAILS / STYLES: Powdercoat - 9002</p> <p>TRACK SYSTEM ASSEMBLY: Powdercoat - 9002</p> <p>WIDTH-16'-0"</p> <p>HEIGHT - 10'-0"</p>

THE DESIGNS AND DETAILS HEREIN ARE THE PROPERTY OF DOORWALL SYSTEMS CORPORATION. USE IS GRANTED FOR THE SOLE PURPOSE OF INTEGRATION OF OUR PRODUCT INTO YOUR PROJECT. BASED ON MFG. ALLOWABLE TOLERANCES.

<p style="font-size: 8pt; margin-top: 5px;">P.O. Box 8337 Warwick, RI 02888 Phone: 844-492-7233 info@doorwallsystems.com</p>	Project:	SAMPLE
	Architect:	-
	Drawn By:	
	Date:	January 1, 2024
	Revision No.	1.0
	Project No.	-
Scale		3

DOORWALL QUAD REPRESENTATIVE SHOP DRAWING



04 DOOR JAMB DETAIL

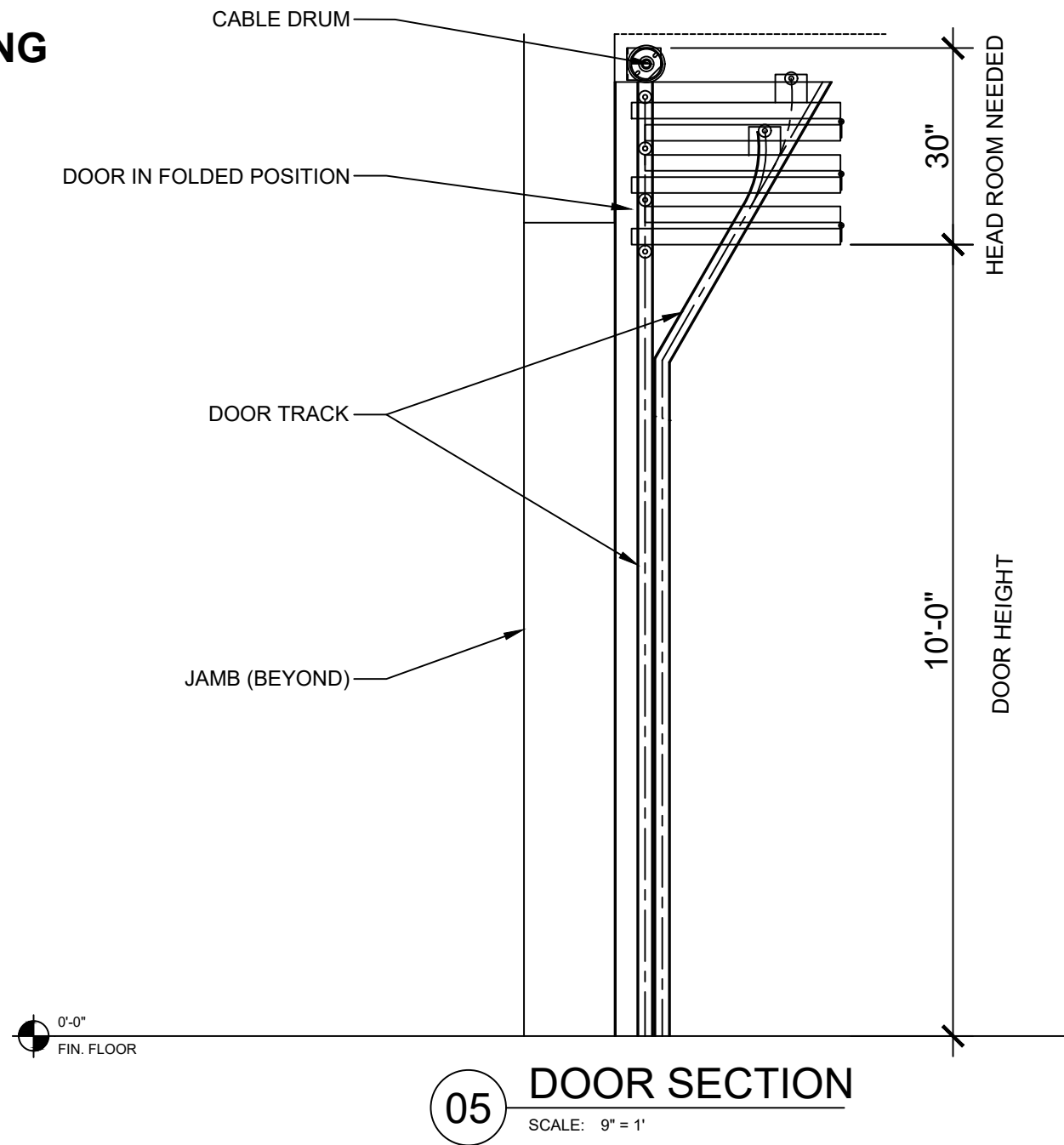
SCALE: 1'-6" = 1'

<p>FINISH SCHEDULE</p> <p>DOOR SECTION RAILS / STYLES: Powdercoat - 9002</p> <p>TRACK SYSTEM ASSEMBLY: Powdercoat - 9002</p> <p>WIDTH-16'-0" HEIGHT - 10'-0"</p>

THE DESIGNS AND DETAILS HEREIN ARE THE PROPERTY OF DOORWALL SYSTEMS CORPORATION. USE IS GRANTED FOR THE SOLE PURPOSE OF INTEGRATION OF OUR PRODUCT INTO YOUR PROJECT. BASED ON MFG. ALLOWABLE TOLERANCES.

<p style="font-size: x-small;">P.O. Box 8337 Warwick, RI 02888 Phone: 844-492-7233 info@doorwallsystems.com</p>	Project:	SAMPLE
	Architect:	-
	Drawn By:	-
	Date:	January 1, 2024
	Revision No.	1.0
	Project No.	-
Scale	1"	4

DOORWALL QUAD REPRESENTATIVE SHOP DRAWING



Projection of sections into interior is determined by section height plus gap between track and jamb. If a soffit is being constructed to hide stacked sections in a pocket, please request additional engineering details.

FINISH SCHEDULE
DOOR SECTION RAILS / STYLES: Powdercoat - 9002
TRACK SYSTEM ASSEMBLY: Powdercoat - 9002
WIDTH-16'-0" HEIGHT - 10'-0"

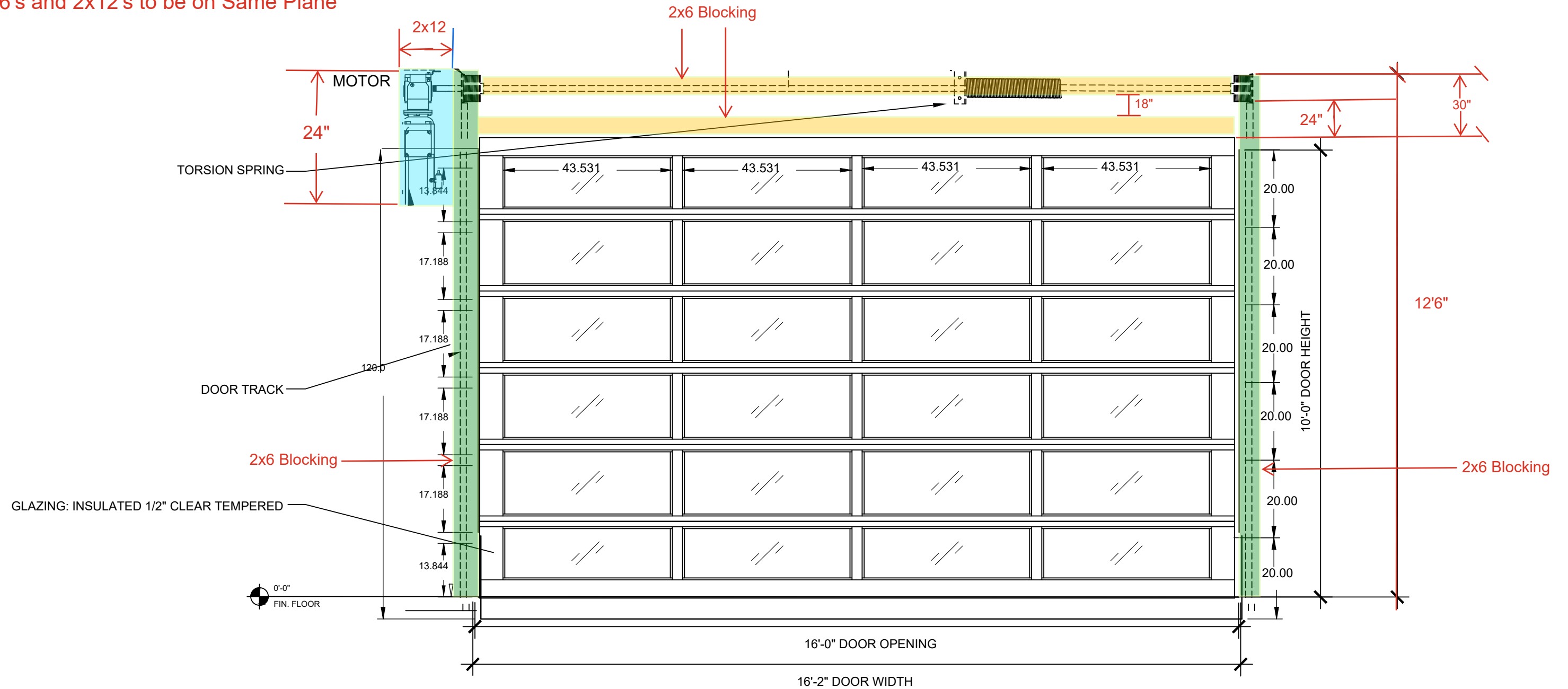
THE DESIGNS AND DETAILS HEREIN ARE THE PROPERTY OF DOORWALL SYSTEMS CORPORATION. USE IS GRANTED FOR THE SOLE PURPOSE OF INTEGRATION OF OUR PRODUCT INTO YOUR PROJECT. BASED ON MFG. ALLOWABLE TOLERANCES.



P.O. Box 8337
Warwick, RI 02888
Phone: 844-492-7233
info@doorwallsystems.com

Project:	SAMPLE
Architect:	-
Drawn By:	
Date:	January 1, 2024
Revision No.	1.0
Project No.	-
Scale	

All Fasteners to be Countersunk Flush
 All 2x6's and 2x12's to be on Same Plane



Green - 2x6 Vertical Support
 Yellow - 2x6 Horizontal Support
 Blue - 2x12 Vertical Motor Support

FINISH SCHEDULE
DOOR SECTION RAILS / STYLES: Powdercoat 9002
TRACK SYSTEM ASSEMBLY: Powdercoa 9002
WIDTH-16'-0" HEIGHT - 10'-0"

DOORWALL QUAD BLOCKING DETAIL

Not to Scale

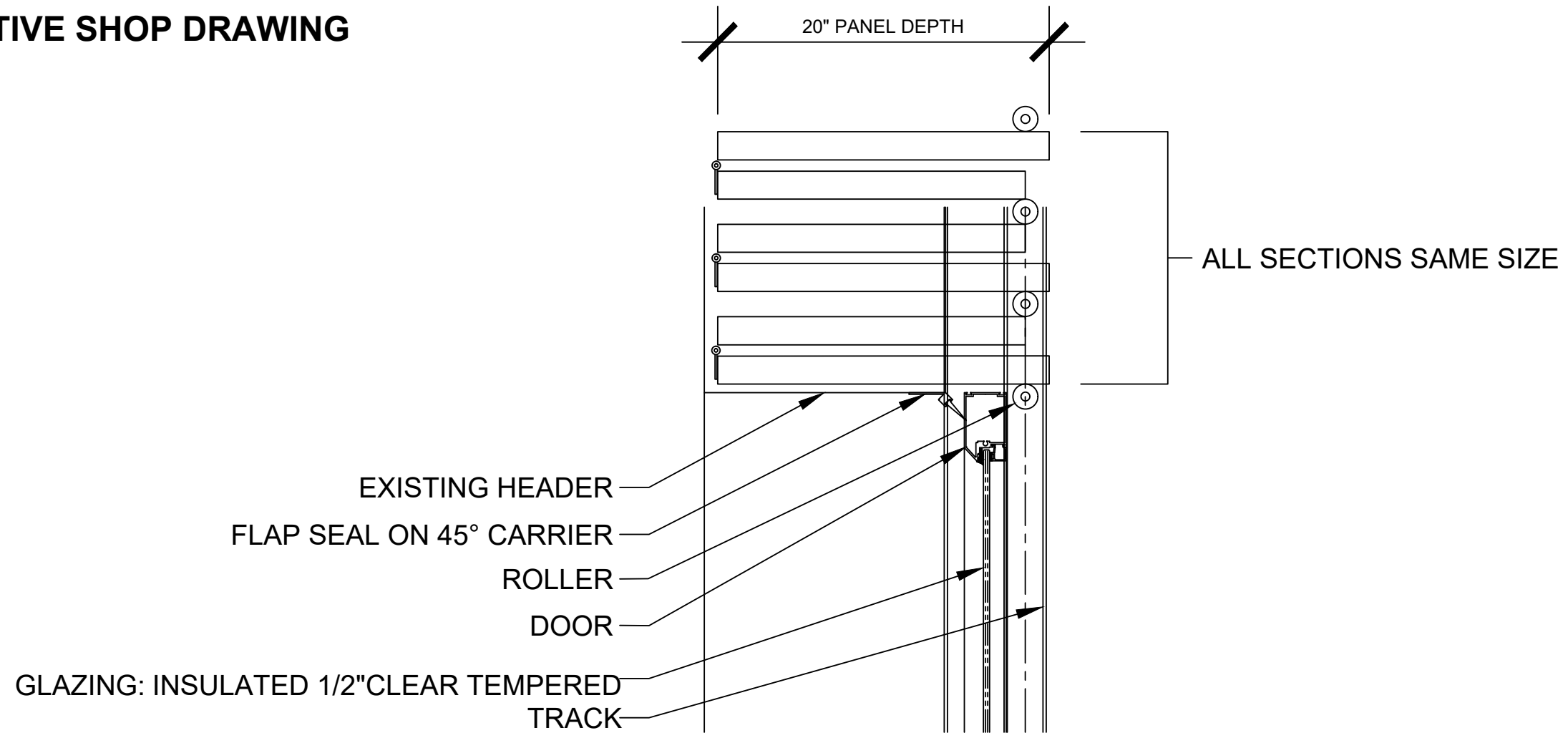
THE DESIGNS AND DETAILS HEREIN ARE THE PROPERTY OF DOORWALL SYSTEMS CORPORATION. USE IS GRANTED FOR THE SOLE PURPOSE OF INTEGRATION OF OUR PRODUCT INTO YOUR PROJECT. BASED ON MFG. ALLOWABLE TOLERANCES.



P.O. Box 8337
 Warwick, RI 02888
 Phone: 844-492-7233
 info@doorwallsystems.com

Project:	SAMPLE
Architect:	-
Drawn By:	
Date:	
Revision No.	1.0
Project No.	-
Scale	

DOORWALL QUAD REPRESENTATIVE SHOP DRAWING

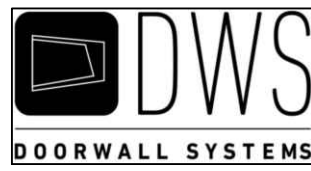


07 DOOR HEAD TYPE

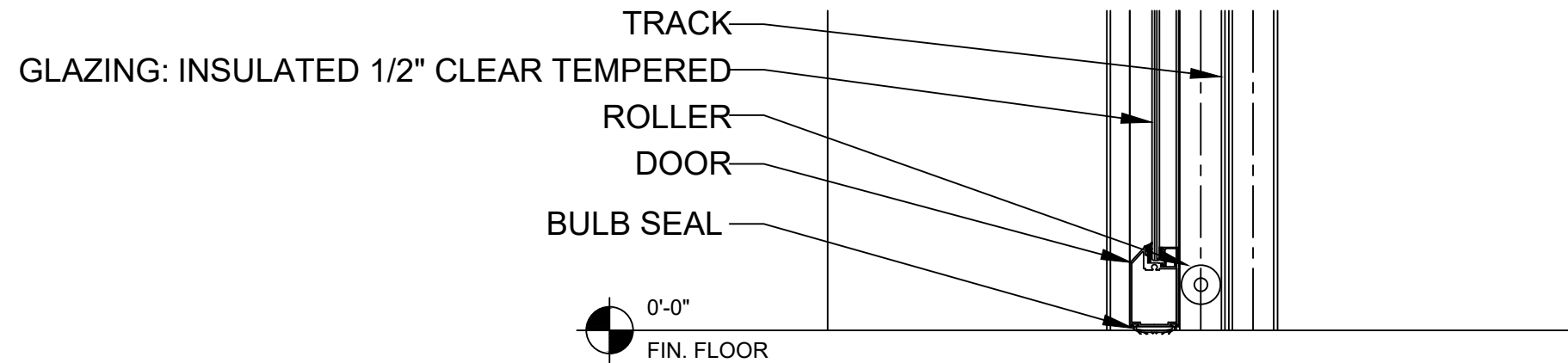
SCALE: 1'-6" = 1'

FINISH SCHEDULE
DOOR SECTION RAILS / STYLES: Powdercoat - 9002
TRACK SYSTEM ASSEMBLY: Powdercoat - 9002
WIDTH-16'-0" HEIGHT - 10'-0"

THE DESIGNS AND DETAILS HEREIN ARE THE PROPERTY OF DOORWALL SYSTEMS CORPORATION. USE IS GRANTED FOR THE SOLE PURPOSE OF INTEGRATION OF OUR PRODUCT INTO YOUR PROJECT. BASED ON MFG. ALLOWABLE TOLERANCES.

 <p>P.O. Box 8337 Warwick, RI 02888 Phone: 844-492-7233 info@doorwallsystems.com</p>	Project:	SAMPLE
	Architect:	-
	Drawn By:	
	Date:	January 1, 2024
	Revision No.	1.0
	Project No.	-
Scale		
		7

DOORWALL QUAD REPRESENTATIVE SHOP DRAWING



08

FLOOR DETAIL

SCALE: 1'-6" = 1'

FINISH SCHEDULE

DOOR SECTION RAILS / STYLES:
Powdercoat 9002

TRACK SYSTEM ASSEMBLY:
Powdercoat 9002

WIDTH - 16'-0"
HEIGHT - 10'-0"

THE DESIGNS AND DETAILS HEREIN ARE THE PROPERTY OF DOORWALL SYSTEMS CORPORATION. USE IS GRANTED FOR THE SOLE PURPOSE OF INTEGRATION OF OUR PRODUCT INTO YOUR PROJECT. BASED ON MFG. ALLOWABLE TOLERANCES.



P.O. Box 8337
Warwick, RI 02888
Phone: 844-492-7233
info@doorwallsystems.com

Project:	SAMPLE
Architect:	-
Drawn By:	
Date:	January 1, 2024
Revision No.	1.0
Project No.	-
Scale	