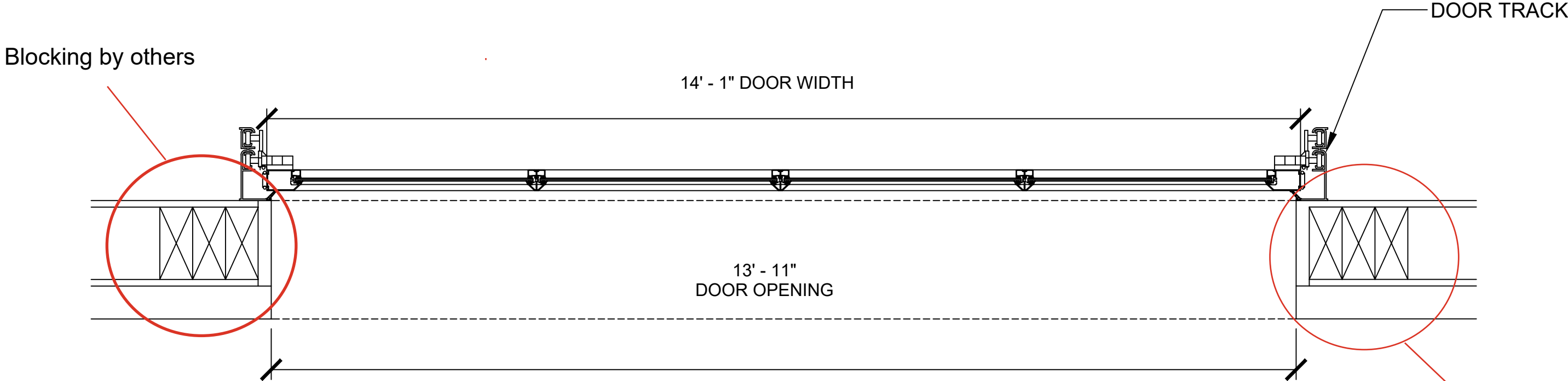


# DOORWALL QUAD

## REPRESENTATIVE SHOP DRAWING



01

### DOOR PLAN

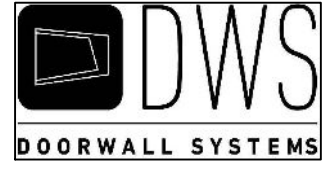
SCALE: 1'-6" = 1'

Blocking by others

Blocking can be wood or steel. Wood is preferred for this product.

<p><b>FINISH SCHEDULE</b></p> <p>DOOR SECTION RAILS / STYLES: Powdercoat 9002</p> <p>TRACK SYSTEM ASSEMBLY: Powdercoat 9002</p>
---

THE DESIGNS AND DETAILS HEREIN ARE THE PROPERTY OF DOORWALL SYSTEMS CORPORATION. USE IS GRANTED FOR THE SOLE PURPOSE OF INTEGRATION OF OUR PRODUCT INTO YOUR PROJECT. BASED ON MFG. ALLOWABLE TOLERANCES.

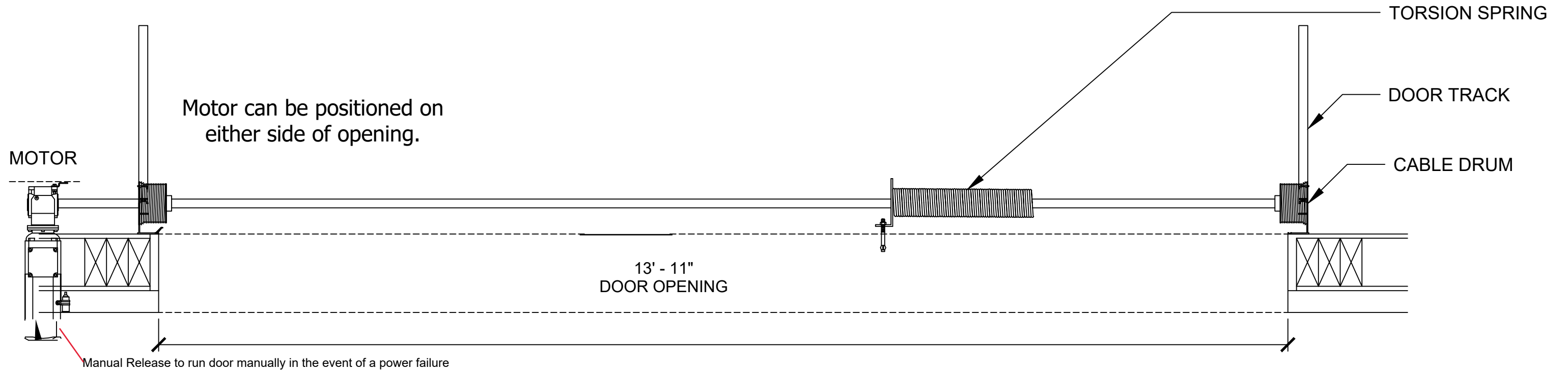


One Overhead Way  
Warwick, RI 02888  
Phone: 844-492-7233  
info@doorwallsystems.com

Project:	
Architect:	
Drawn By:	
Date:	
Revision No.	1.0
Project No.	
Scale	

# DOORWALL QUAD REPRESENTATIVE SHOP DRAWING

120V AC, 60hz , power for motor by others



## 02 DOOR & MOTOR PLAN

SCALE: 1'-6" = 1'

Low voltage wiring to activation button or key switch by others.

### FINISH SCHEDULE

DOOR SECTION RAILS / STYLES:  
Powdercoat 9002

TRACK SYSTEM ASSEMBLY:  
Powdercoat 9002

THE DESIGNS AND DETAILS HEREIN ARE THE PROPERTY OF DOORWALL SYSTEMS CORPORATION. USE IS GRANTED FOR THE SOLE PURPOSE OF INTEGRATION OF OUR PRODUCT INTO YOUR PROJECT. BASED ON MFG. ALLOWABLE TOLERANCES.

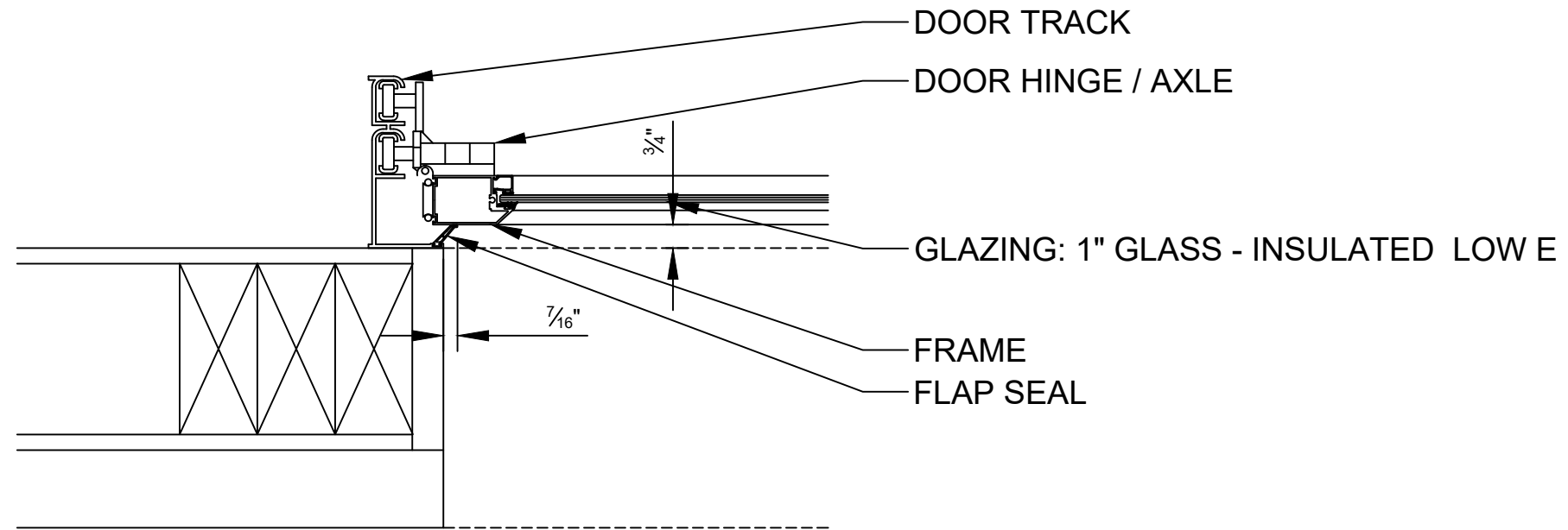


One Overhead Way  
Warwick, RI 02888  
Phone: 844-492-7233  
info@doorwallsystems.com

Project:	
Architect:	
Drawn By:	
Date:	
Revision No.	1.0
Project No.	
Scale	

# DOORWALL QUAD

## REPRESENTATIVE SHOP DRAWING



### 03 DOOR JAMB DETAIL

SCALE: 1'-6" = 1'

FINISH SCHEDULE
DOOR SECTION RAILS / STYLES: Powdercoat 9002
TRACK SYSTEM ASSEMBLY: Powdercoat 9002

THE DESIGNS AND DETAILS HEREIN ARE THE PROPERTY OF DOORWALL SYSTEMS CORPORATION. USE IS GRANTED FOR THE SOLE PURPOSE OF INTEGRATION OF OUR PRODUCT INTO YOUR PROJECT. BASED ON MFG. ALLOWABLE TOLERANCES.

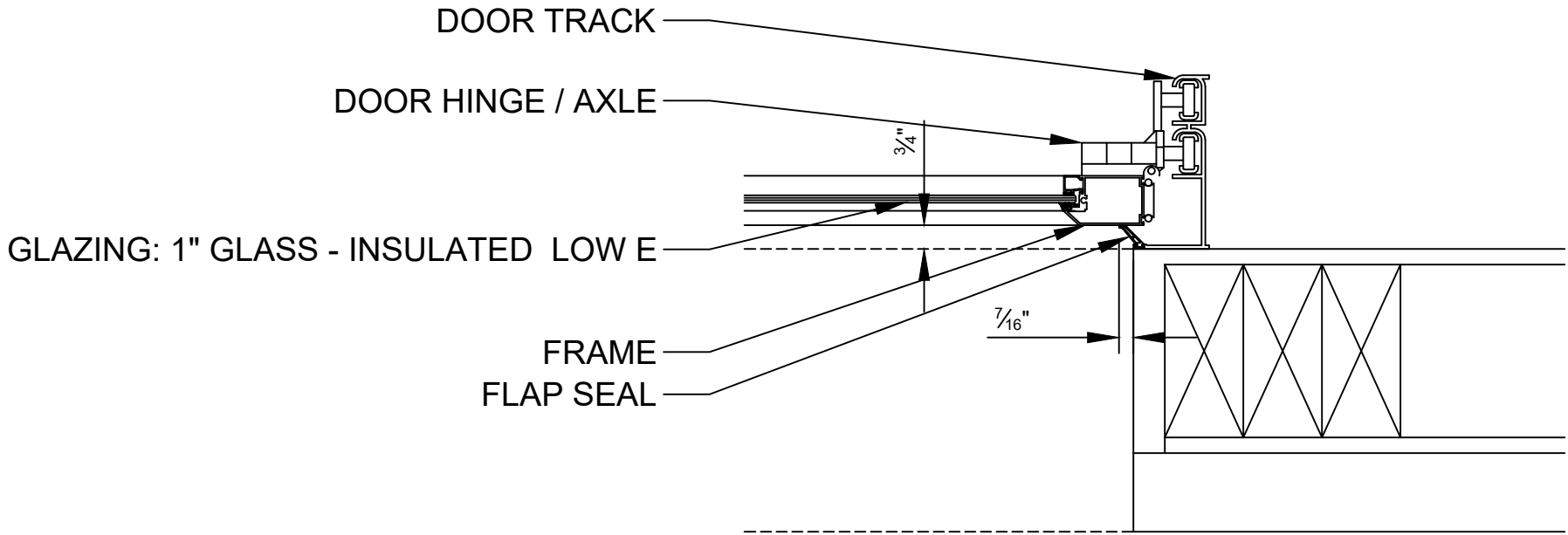


One Overhead Way  
Warwick, RI 02888  
Phone: 844-492-7233  
info@doorwallsystems.com

Project:	
Architect:	
Drawn By:	
Date:	
Revision No.	1.0
Project No.	
Scale	

# DOORWALL QUAD

## REPRESENTATIVE SHOP DRAWING



04

### DOOR JAMB DETAIL

SCALE: 1'-6" = 1'

FINISH SCHEDULE
DOOR SECTION RAILS / STYLES: Powdercoat 9002
TRACK SYSTEM ASSEMBLY: Powdercoat 9002

THE DESIGNS AND DETAILS HEREIN ARE THE PROPERTY OF DOORWALL SYSTEMS CORPORATION. USE IS GRANTED FOR THE SOLE PURPOSE OF INTEGRATION OF OUR PRODUCT INTO YOUR PROJECT. BASED ON MFG. ALLOWABLE TOLERANCES.

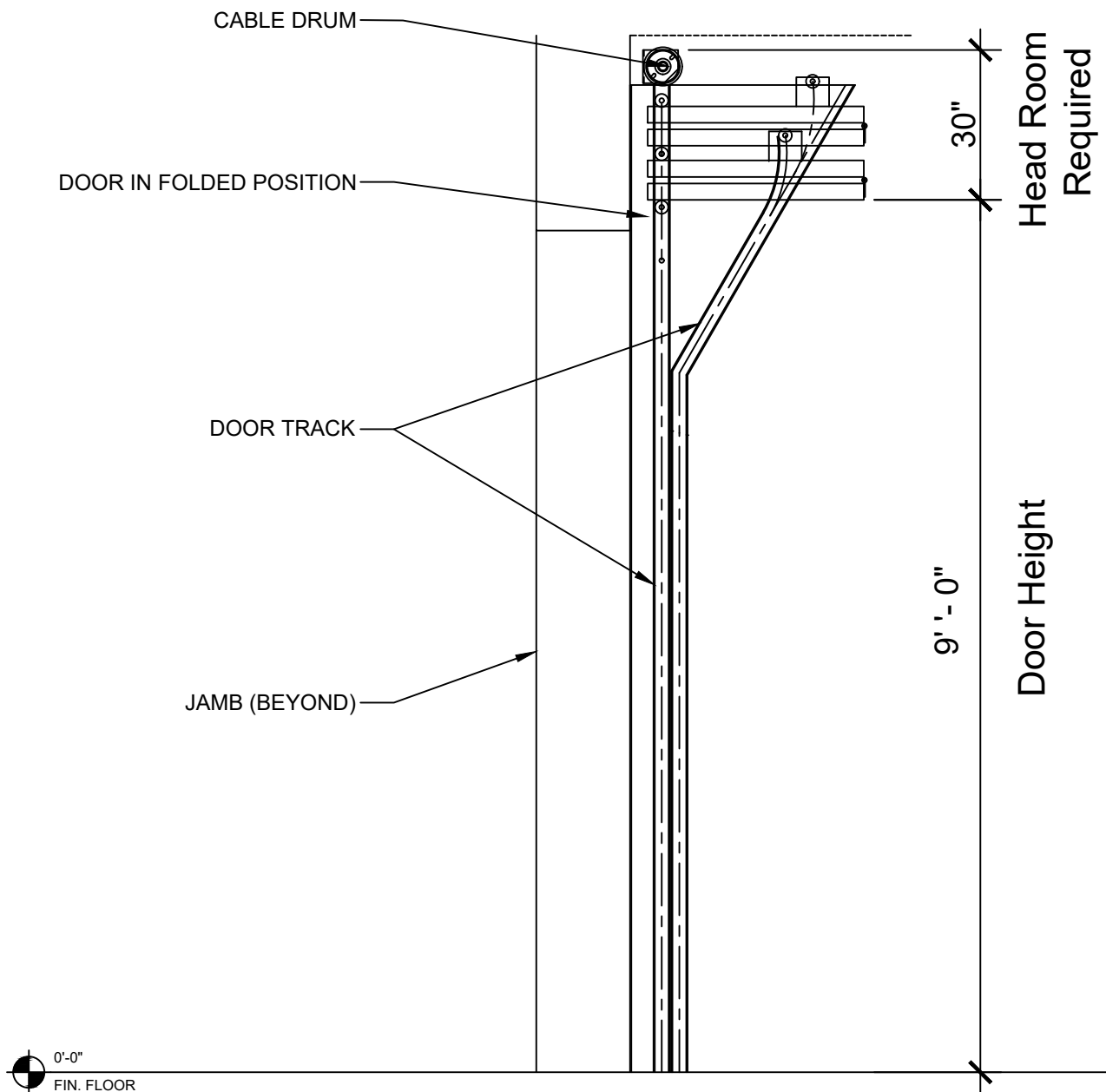


One Overhead Way  
Warwick, RI 02888  
Phone: 844-492-7233  
info@doorwallsystems.com

Project:	
Architect:	
Drawn By:	
Date:	
Revision No.	1.0
Project No.	
Scale	

# DOORWALL QUAD

## REPRESENTATIVE SHOP DRAWING



Projection of sections into interior is determined by section height plus gap between track and jamb. If a soffit is being constructed to hide stacked sections, please request additional engineering details.

<b>FINISH SCHEDULE</b>
DOOR SECTION RAILS / STYLES: Powdercoat 9002
TRACK SYSTEM ASSEMBLY: Powdercoat 9002

05
**DOOR SECTION**  
 SCALE: 9" = 1'

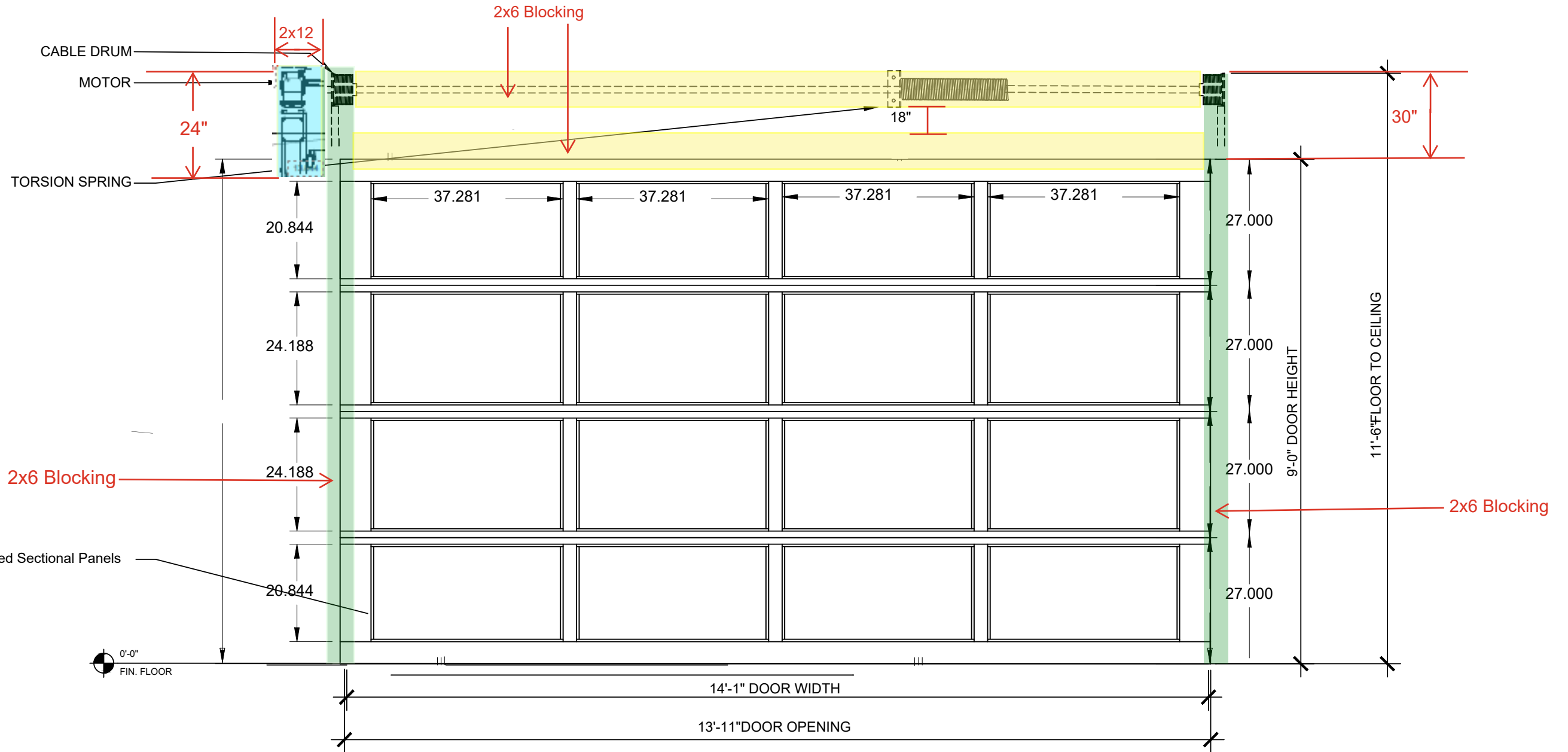
THE DESIGNS AND DETAILS HEREIN ARE THE PROPERTY OF DOORWALL SYSTEMS CORPORATION. USE IS GRANTED FOR THE SOLE PURPOSE OF INTEGRATION OF OUR PRODUCT INTO YOUR PROJECT. BASED ON MFG. ALLOWABLE TOLERANCES.



One Overhead Way  
 Warwick, RI 02888  
 Phone: 844-492-7233  
 info@doorwallsystems.com

Project:	
Architect:	
Drawn By:	
Date:	
Revision No.	1.0
Project No.	
Scale	

All Fasteners to be Countersunk Flush  
 All 2x6's and 2x12's to be on Same Plane



Green - 2x6 Vertical Support

Yellow - 2x6 Horizontal Support

Blue - 2x12 Vertical Motor Support

FINISH SCHEDULE

DOOR SECTION RAILS / STYLES:  
 Powdercoat Standard RAL 9002

TRACK SYSTEM ASSEMBLY:  
 Powdercoat Standard RAL 9002

06 DOOR ELEVATION  
 SCALE: 9" = 1'

**DOORWALL QUAD  
 BLOCKING DETAIL**  
 Not to scale

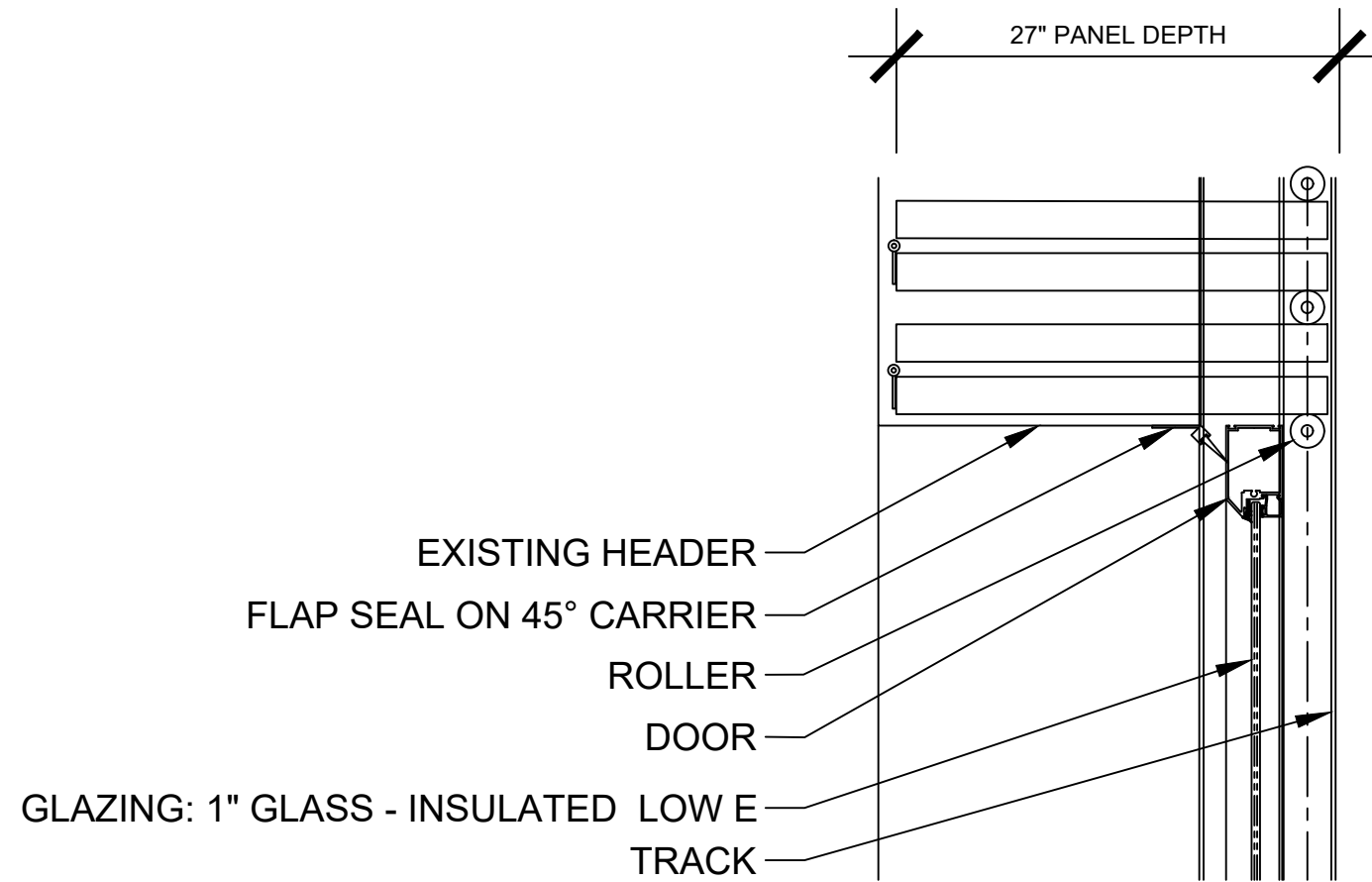
THE DESIGNS AND DETAILS HEREIN ARE THE PROPERTY OF DOORWALL SYSTEMS CORPORATION. USE IS GRANTED FOR THE SOLE PURPOSE OF INTEGRATION OF OUR PRODUCT INTO YOUR PROJECT. BASED ON MFG. ALLOWABLE TOLERANCES.



P.O. Box 8337  
 Warwick, RI 02888 Phone:  
 844-492-7233  
 info@doorwallsystems.com

Project:	
Architect:	-
Drawn By:	.
Date:	
Revision No.	1.0
Project No.	-
Scale	

# DOORWALL QUAD REPRESENTATIVE SHOP DRAWING



Projection of sections into interior is determined by section height plus gap between track and jamb. If a soffit is being constructed to hide stacked sections, please request additional engineering details.

07

## DOOR HEAD TYPE

SCALE: 1'-6" = 1'

**FINISH SCHEDULE**

DOOR SECTION RAILS / STYLES:  
Powdercoat 9002

TRACK SYSTEM ASSEMBLY:  
Powdercoat 9002

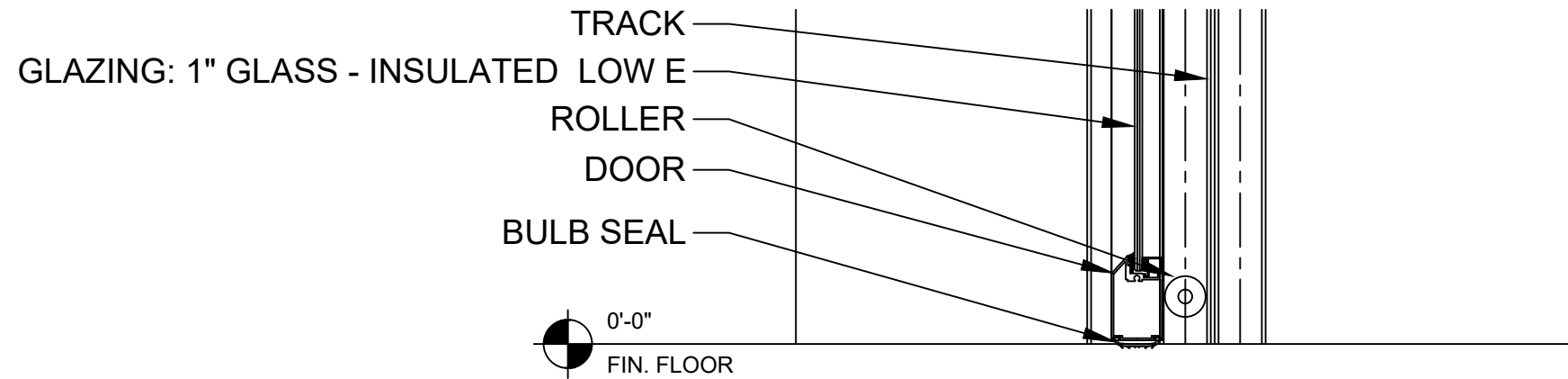
THE DESIGNS AND DETAILS HEREIN ARE THE PROPERTY OF DOORWALL SYSTEMS CORPORATION. USE IS GRANTED FOR THE SOLE PURPOSE OF INTEGRATION OF OUR PRODUCT INTO YOUR PROJECT. BASED ON MFG. ALLOWABLE TOLERANCES.



One Overhead Way  
Warwick, RI 02888  
Phone: 844-492-7233  
info@doorwallsystems.com

Project:	
Architect:	
Drawn By:	
Date:	
Revision No.	1.0
Project No.	
Scale	

# DOORWALL QUAD REPRESENTATIVE SHOP DRAWING



## 08 FLOOR DETAIL

SCALE: 1'-6" = 1'

FINISH SCHEDULE
DOOR SECTION RAILS / STYLES: Powdercoat 9002
TRACK SYSTEM ASSEMBLY: Powdercoat 9002

THE DESIGNS AND DETAILS HEREIN ARE THE PROPERTY OF DOORWALL SYSTEMS CORPORATION. USE IS GRANTED FOR THE SOLE PURPOSE OF INTEGRATION OF OUR PRODUCT INTO YOUR PROJECT. BASED ON MFG. ALLOWABLE TOLERANCES.



One Overhead Way  
Warwick, RI 02888  
Phone: 844-492-7233  
info@doorwallsystems.com

Project:	
Architect:	
Drawn By:	
Date:	
Revision No.	1.0
Project No.	
Scale	