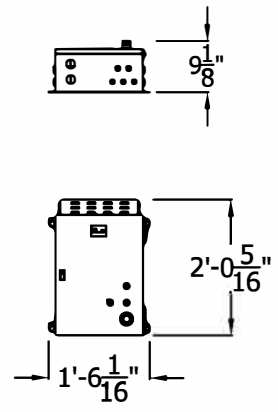
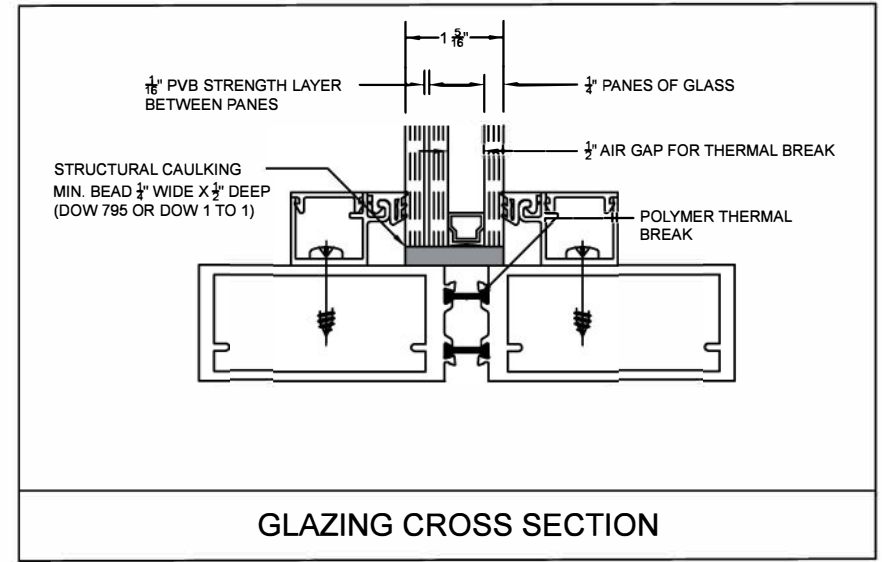
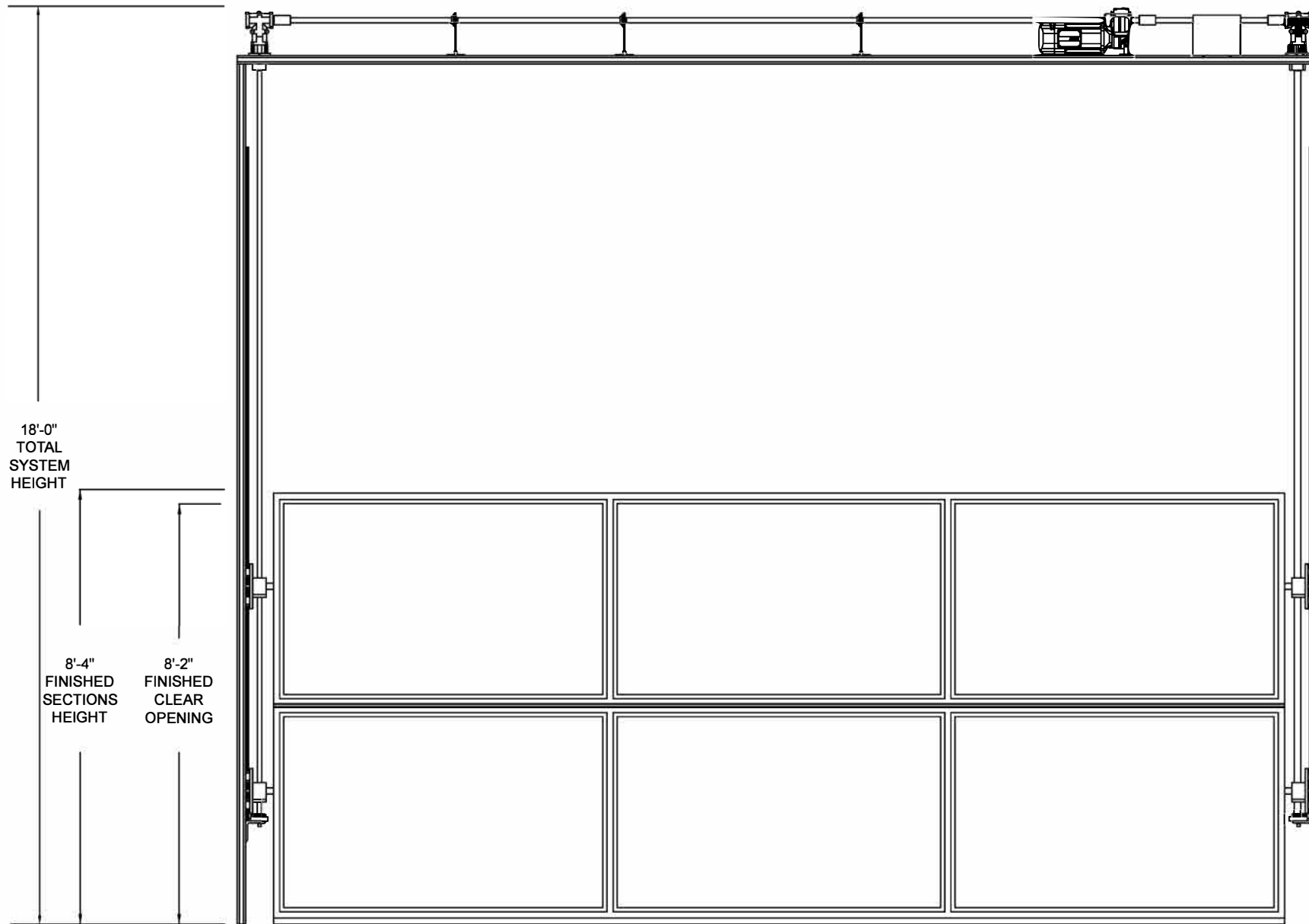


EXAMPLE DOORWALL SYSTEMS ARC SOLO

COLOR FINISH SCHEDULE	
INTERIOR	
JAMBS:	
SECTIONS:	
EXTERIOR	
JAMBS:	
SECTIONS:	



CONTROL PANEL:
Can be located up to 30' away with standard wiring. Longer distances are available upon request. Allow for 3" perimeter around panel for finger clearance to mount. Consult with Electrical Contractor to consider if special clearance is needed to bring 230/ 3 phase power to the panel.

KEY SWITCH FOR DOOR OPERATION:
Final location of switch to be coordinated with Architect in field.

FINISHED OPENING WIDTH:	20'-0"
SECTIONS WIDTH:	19'-10"
TOTAL SYSTEM WIDTH:	21'-3"
FINISHED CLEAR OPENING:	8'-2"
SECTIONS HEIGHT:	8'-4"
TOTAL SYSTEM HEIGHT:	18'-0"

TOTAL SYSTEM WEIGHT:

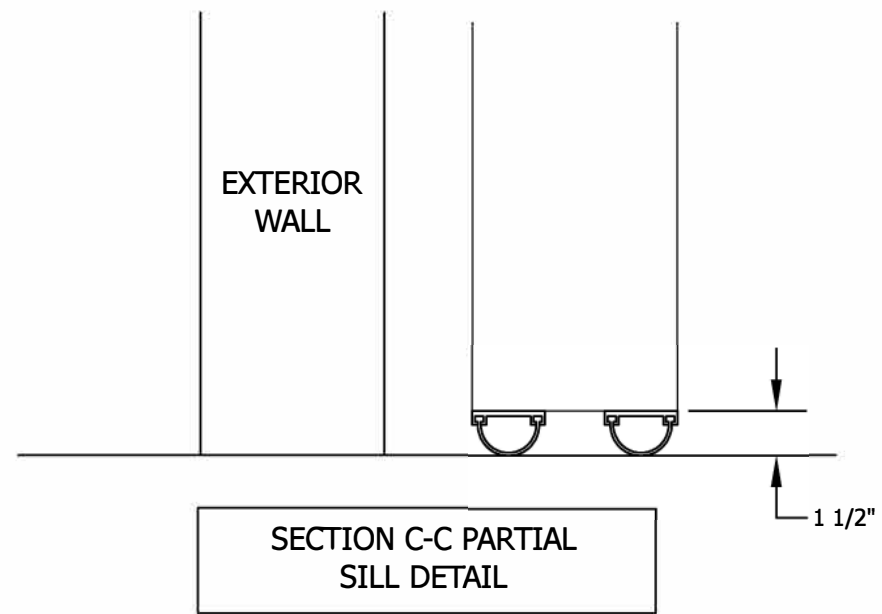
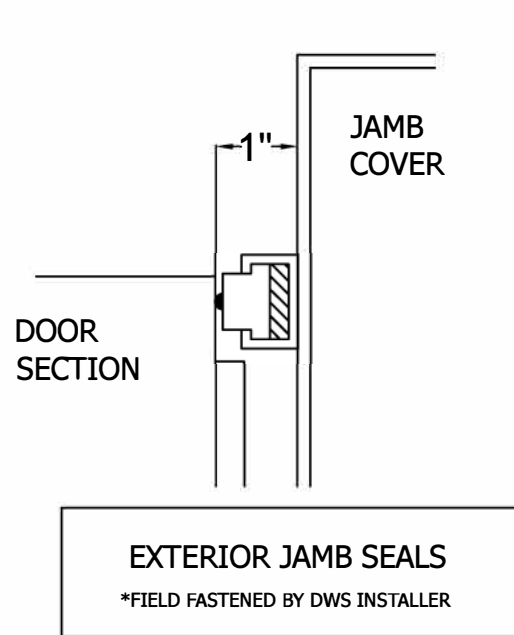
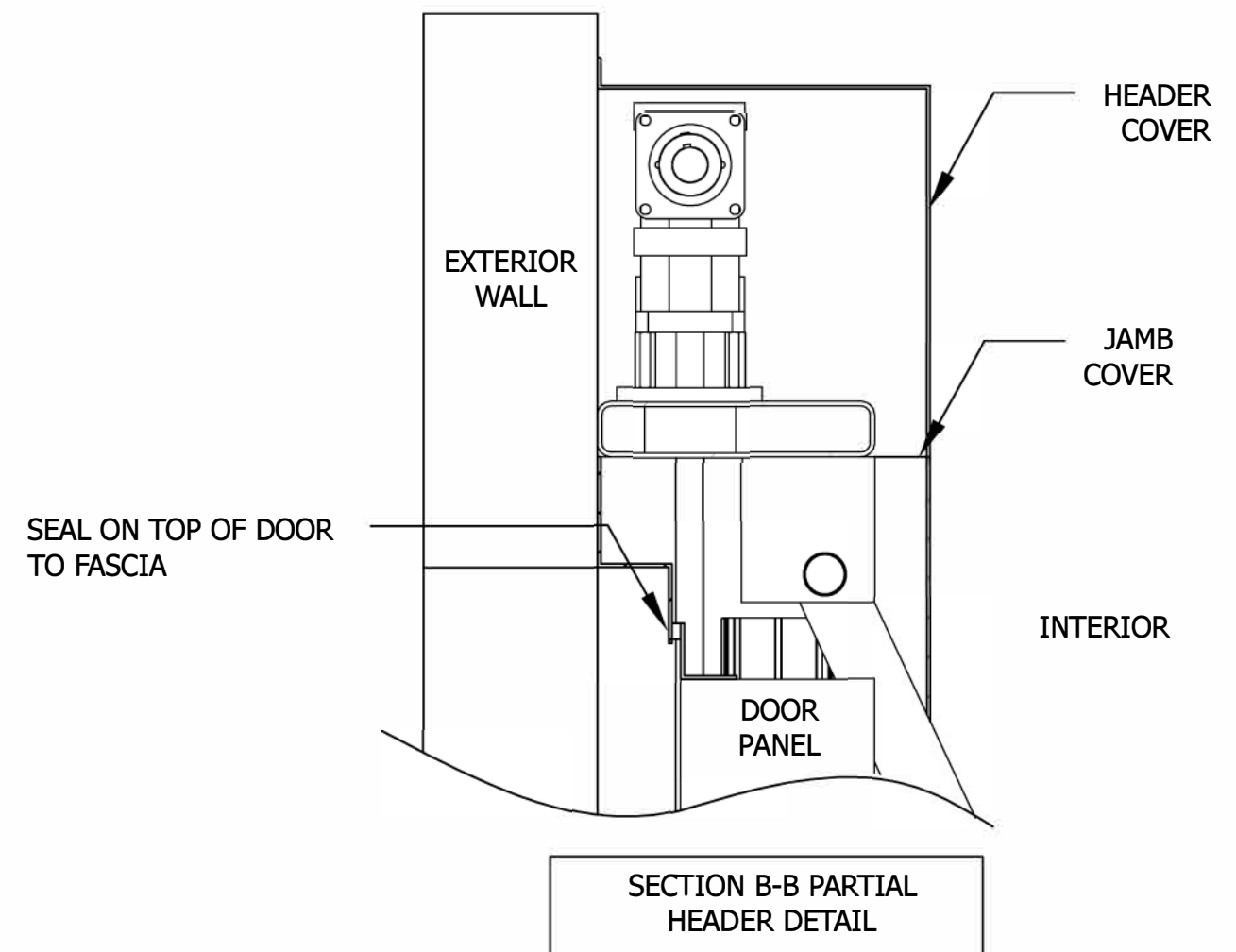
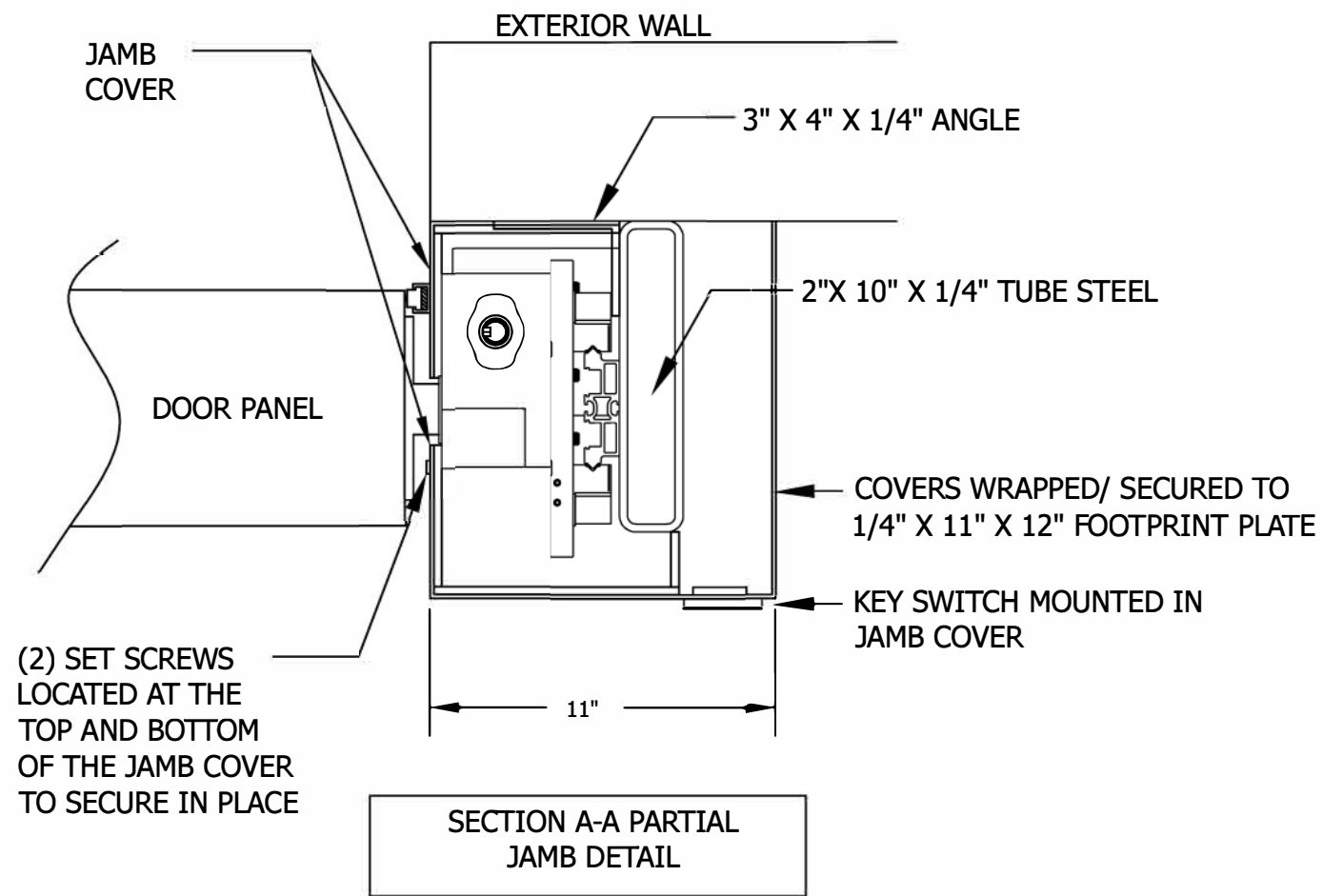
THE DESIGNS AND DETAILS HEREIN ARE THE PROPERTY OF DOORWALL SYSTEMS CORPORATION. USE IS GRANTED FOR THE SOLE PURPOSE OF INTEGRATION OF OUR PRODUCT INTO YOUR PROJECT.



50 Main Street, Suite 1000
White Plains, NY 10606
Phone: 844-492-7233
info@doorwallsystems.com

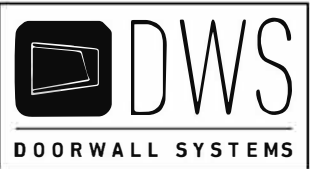
Project:	
Architect:	
Drawn by:	CIS
Date:	
Revisions:	
Project No.	1

EXAMPLE DOORWALL SYSTEMS ARC SOLO



FINISHED OPENING WIDTH:	20'-0"
SECTIONS WIDTH:	19'-10"
TOTAL SYSTEM WIDTH:	21'-3"
FINISHED CLEAR OPENING:	8'-2"
SECTIONS HEIGHT:	8'-4"
TOTAL SYSTEM HEIGHT:	18'-0"

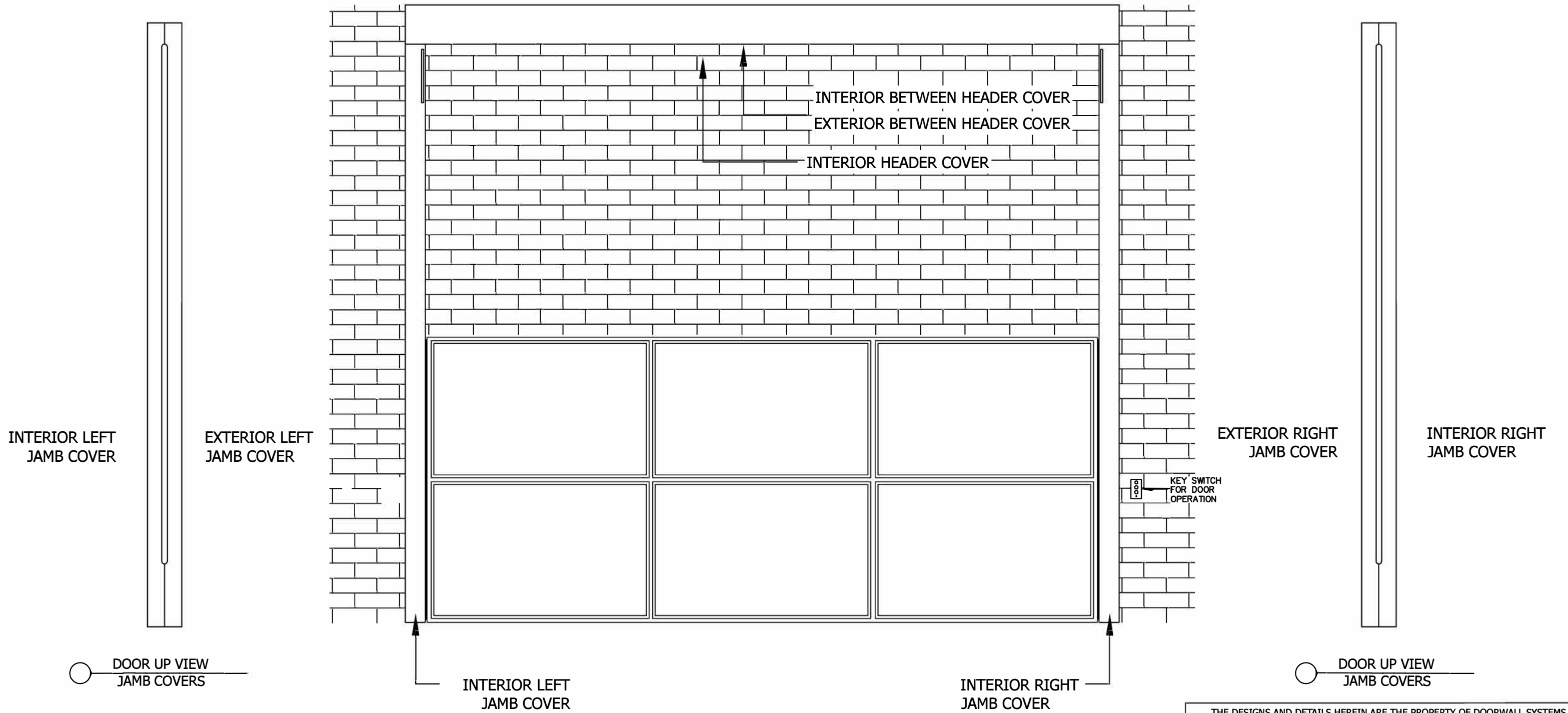
THE DESIGNS AND DETAILS HEREIN ARE THE PROPERTY OF DOORWALL SYSTEMS CORPORATION. USE IS GRANTED FOR THE SOLE PURPOSE OF INTEGRATION OF OUR PRODUCT INTO YOUR PROJECT.



50 Main Street, Suite 1000
White Plains, NY 10606
Phone: 844-492-7233
info@doorwallsystems.com

Project:	
Architect:	
Drawn by:	CIS
Date:	
Revisions:	
Project No.	

EXAMPLE DOORWALL SYSTEMS ARC SOLO



DOOR UP VIEW
JAMB COVERS

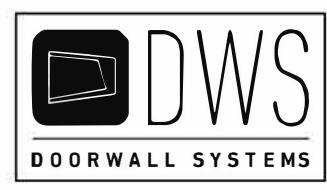
DOOR UP VIEW
JAMB COVERS

ELEVATION - INTERIOR
COVERS

*INTERIOR WALLS AND CEILING AT OPENING SHALL REMAIN UNFINISHED
UNTIL DOORWALL SYSTEM INSTALLATION IS COMPLETE

FINISHED OPENING WIDTH:	20'-0"
SECTIONS WIDTH:	19'-10"
TOTAL SYSTEM WIDTH:	21'-3"
FINISHED CLEAR OPENING:	8'-2"
SECTIONS HEIGHT:	8'-4"
TOTAL SYSTEM HEIGHT:	18'-0"

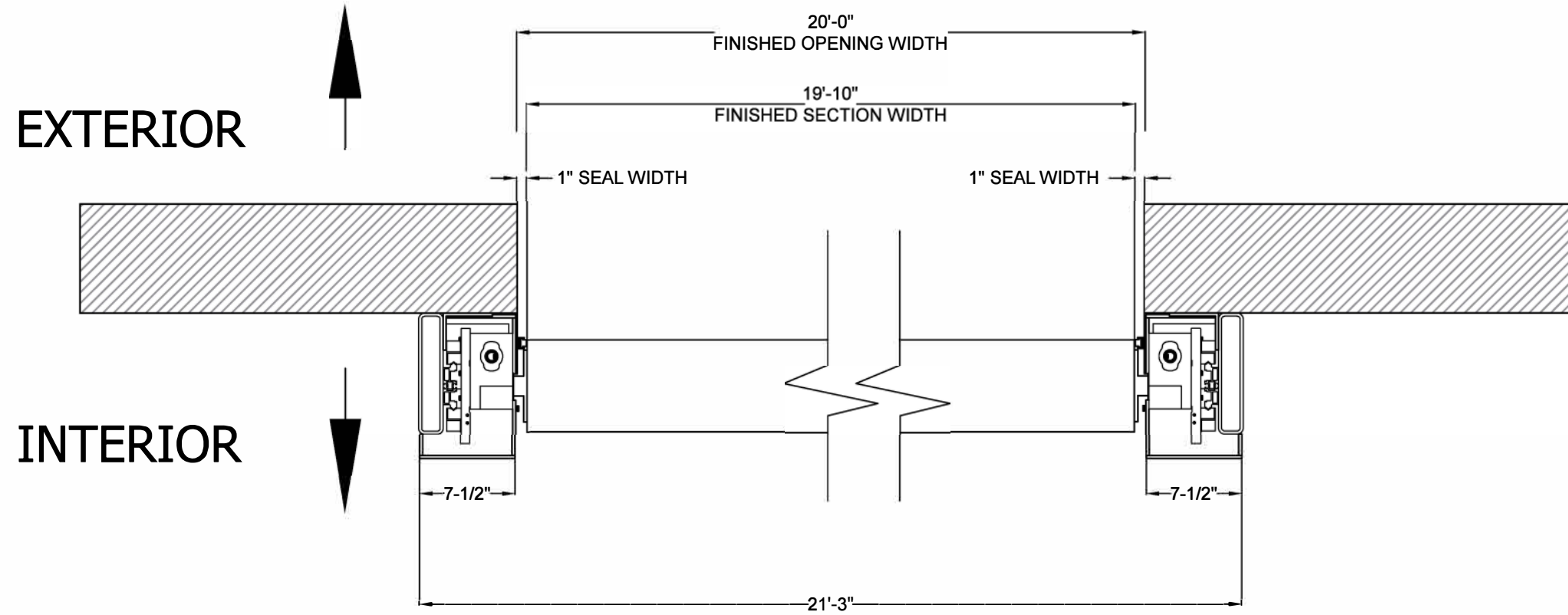
THE DESIGNS AND DETAILS HEREIN ARE THE PROPERTY OF DOORWALL SYSTEMS CORPORATION. USE IS GRANTED FOR THE SOLE PURPOSE OF INTEGRATION OF OUR PRODUCT INTO YOUR PROJECT.



50 Main Street, Suite 1000
White Plains, NY 10606
Phone: 844-492-7233
info@doorwallsystems.com

Project:	
Architect:	
Drawn by:	CIS
Date:	
Revisions:	
Project No.	3

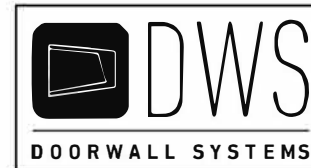
EXAMPLE DOORWALL SYSTEMS ARC SOLO



A-A CROSS SECTION

FINISHED OPENING WIDTH:	20'-0"
SECTIONS WIDTH:	19'-10"
TOTAL SYSTEM WIDTH:	21'-3"
FINISHED CLEAR OPENING:	8'-2"
SECTIONS HEIGHT:	8'-4"
TOTAL SYSTEM HEIGHT:	18'-0"

THE DESIGNS AND DETAILS HEREIN ARE THE PROPERTY OF DOORWALL SYSTEMS CORPORATION. USE IS GRANTED FOR THE SOLE PURPOSE OF INTEGRATION OF OUR PRODUCT INTO YOUR PROJECT.



50 Main Street, Suite 1000
White Plains, NY 10606
Phone: 844-492-7233
info@doorwallsystems.com

Project:	
Architect:	
Drawn by:	CIS
Date:	
Revisions:	
Project No.	4