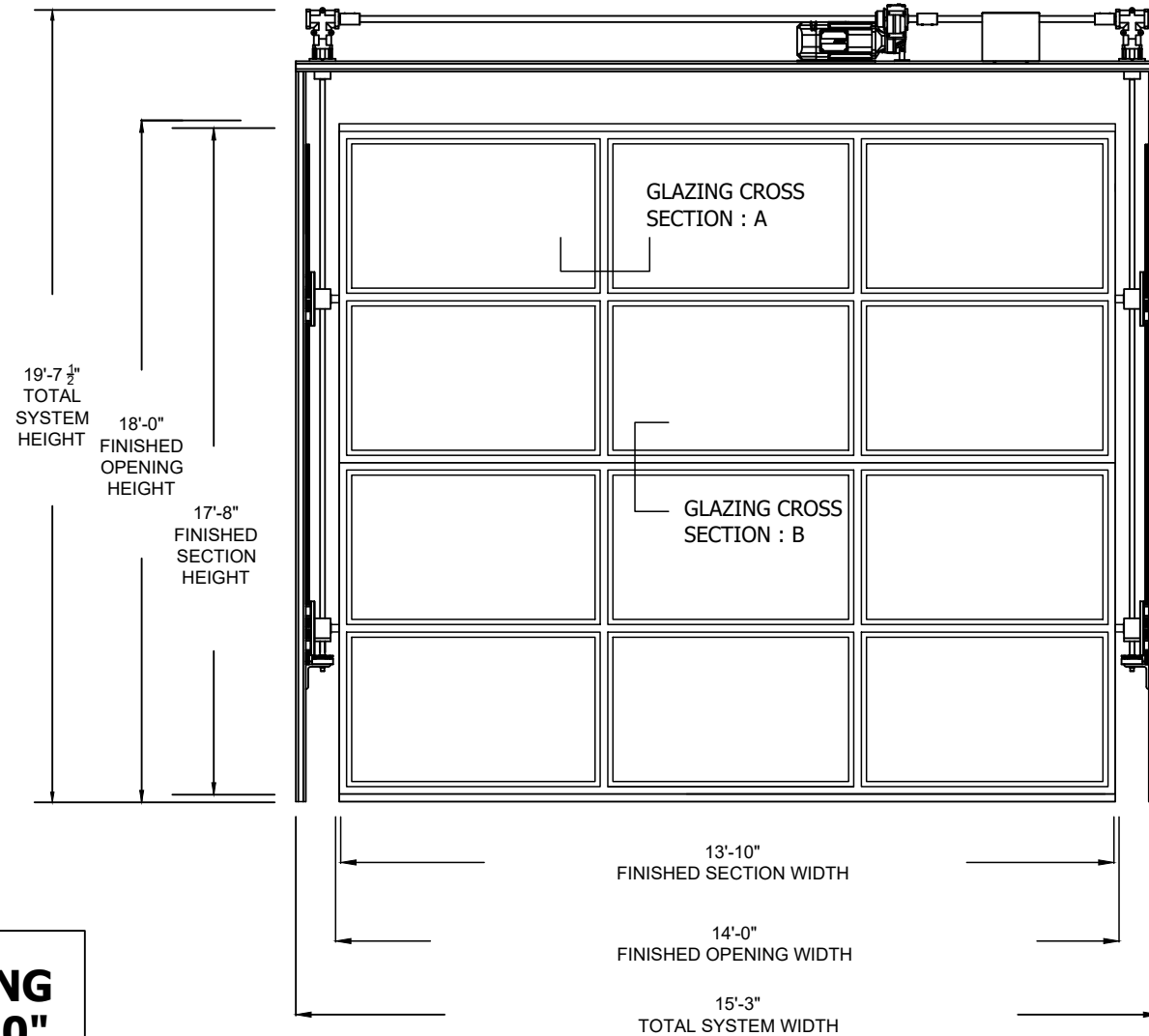
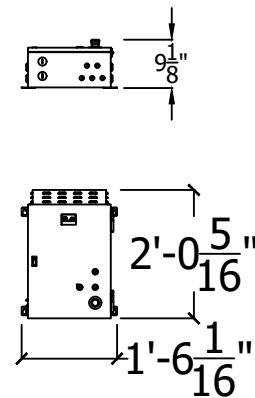


EXAMPLE DOORWALL SYSTEMS ARC 3-D DUO

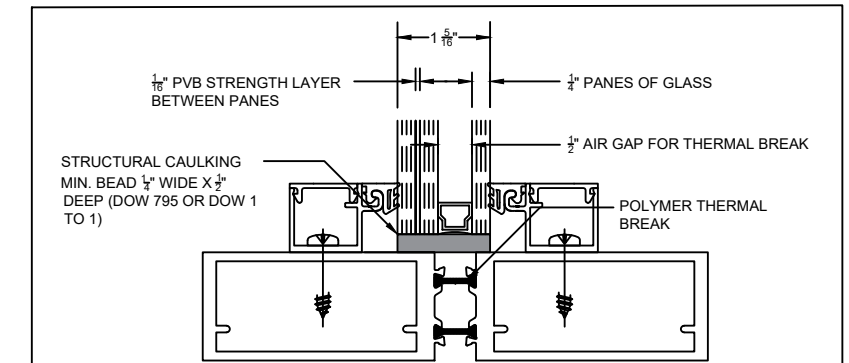
COLOR FINISH SCHEDULE	
INTERIOR	
JAMBS:	TBD - BASED ON MFG. STD. AVAILABLE COLORS
SECTIONS:	TBD - BASED ON MFG. STD. AVAILABLE COLORS
EXTERIOR	
JAMBS:	TBD - BASED ON MFG. STD. AVAILABLE COLORS
SECTIONS:	TBD - BASED ON MFG. STD. AVAILABLE COLORS

CONTROL PANEL:
Can be located up to 10' away with standard wiring. Longer distances are available upon request. Allow for 3" perimeter around panel for finger clearance to mount. Consult with Electrical Contractor to consider if special clearance is needed to bring 230/ 3 phase power to the panel.

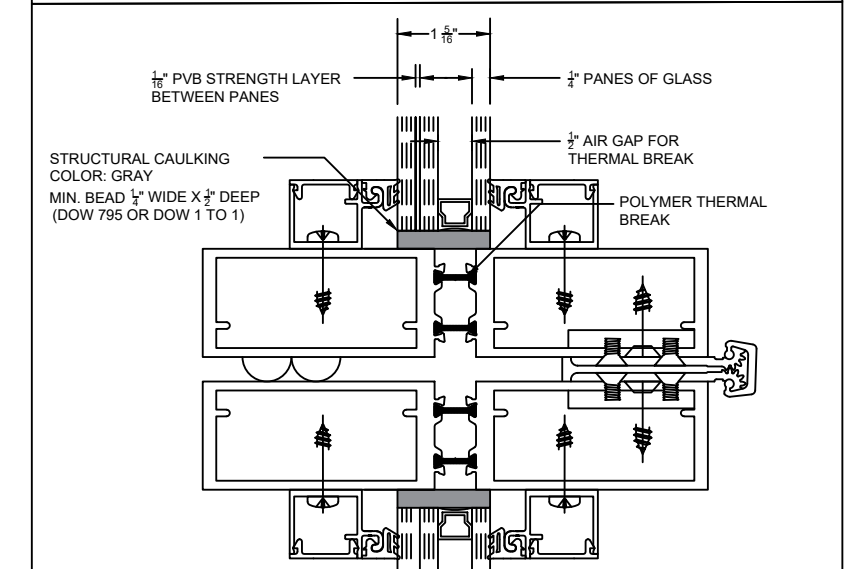


$2 \frac{1}{2}$ "
 $5 \frac{1}{2}$ "

KEY SWITCH FOR DOOR OPERATION:
COORDINATED BY OTHERS IN FIELD



GLAZING CROSS SECTION A




GLAZING CROSS SECTION : B

FINISHED OPENING WIDTH:	14'-0"
FINISHED SECTION WIDTH:	13'-10"
TOTAL SYSTEM WIDTH:	15'-3"
FINISHED OPENING HEIGHT:	18'-0"
FINISHED SECTION HEIGHT:	17'-8"
CLEAR OPENING HEIGHT:	16'-5 1/2"
TOTAL SYSTEM HEIGHT:	19'-7 1/2"
*FINISHED OPENINGS BY OTHERS; CONFIRMED BY GC TO BE PLUMB AND SQUARE	

TOTAL SYSTEM WEIGHT: 3,200 LB'S

DOOR NUMBER: DW1

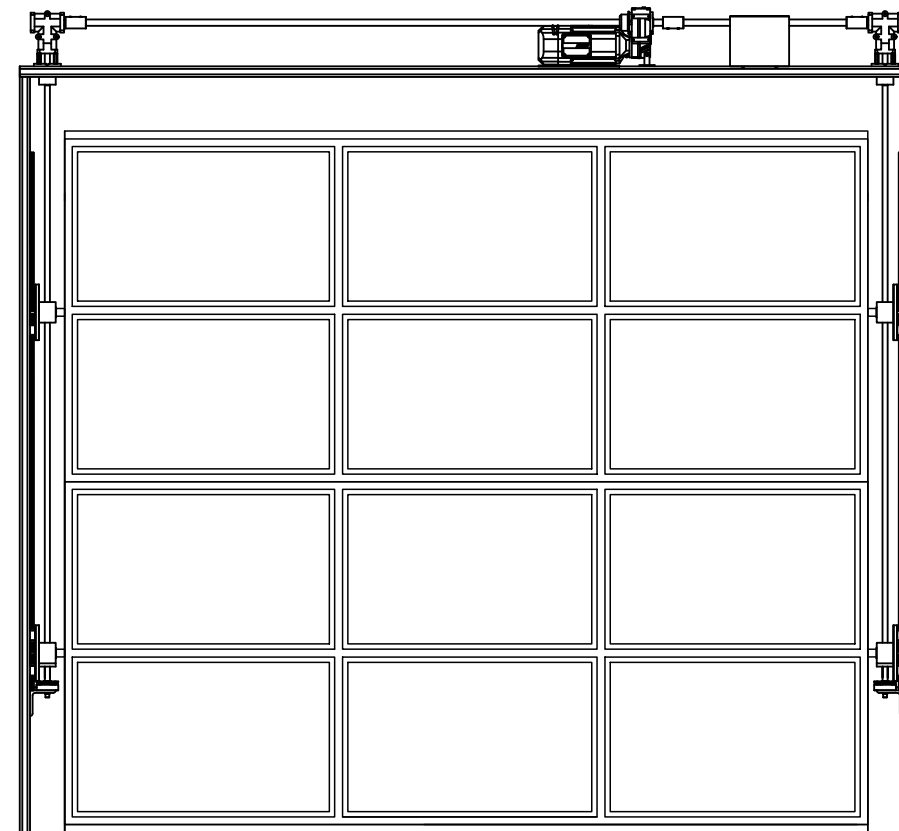
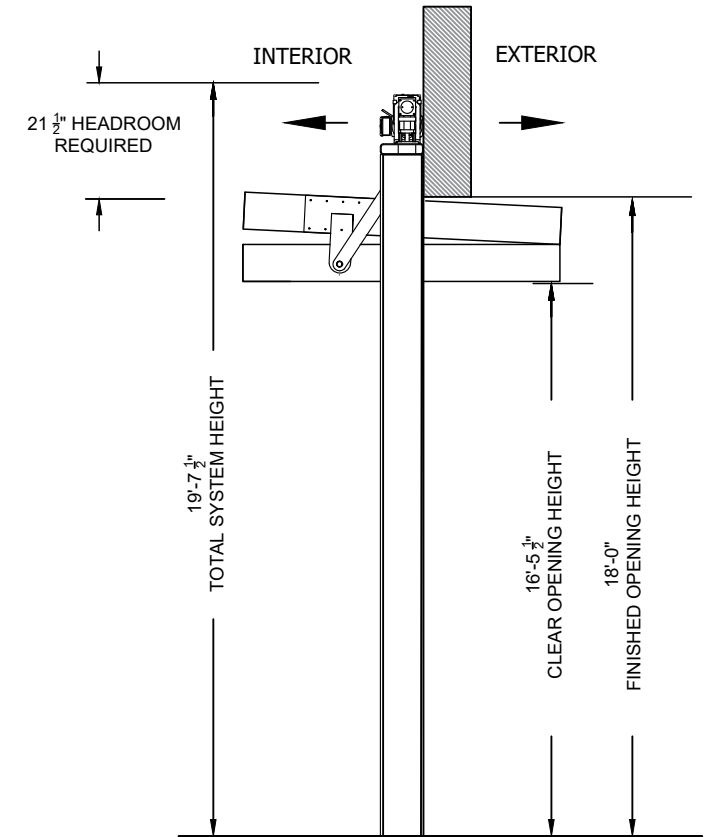
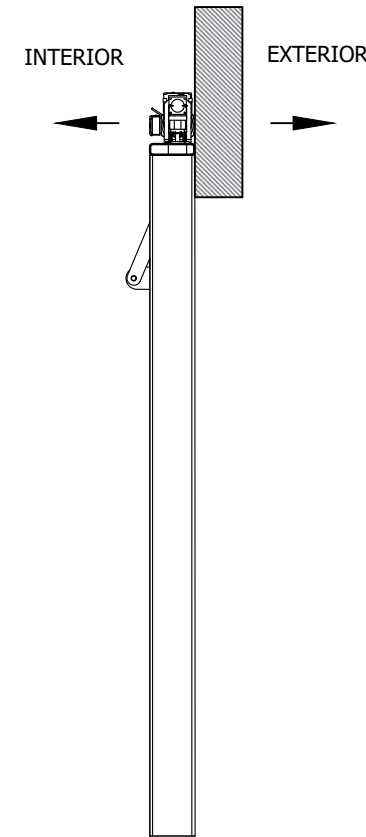
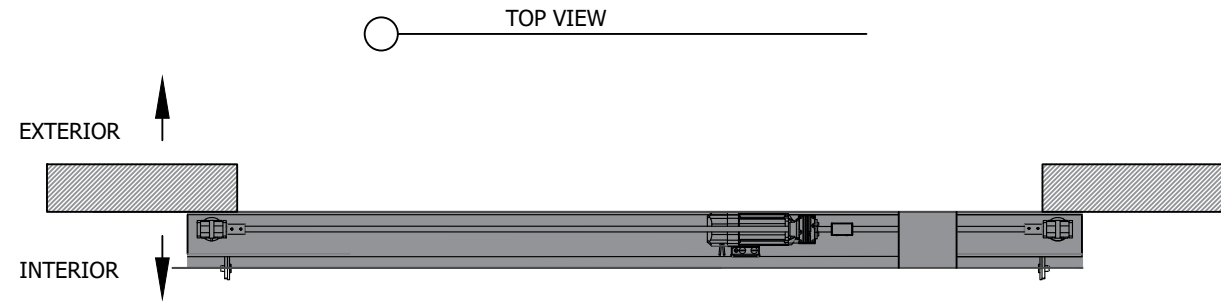
THE DESIGNS AND DETAILS HEREIN ARE THE PROPERTY OF DOORWALL SYSTEMS CORPORATION. USE IS GRANTED FOR THE SOLE PURPOSE OF INTEGRATION OF OUR PRODUCT INTO YOUR PROJECT. BASED ON MFG. ALLOWABLE TOLERANCES.

 DOORWALL SYSTEMS 50 Main Street, Suite 1000 White Plains, NY 10606 Phone: 844-492-7233 info@doorwallsystems.com	Project:	
	Architect:	
	Drawn by:	D.T.
	Date:	
	Revisions:	
	Project No.	1

EXAMPLE DOORWALL SYSTEMS ARC 3-D DUO

○ SIDE VIEW
OPEN POSITION

*INTERIOR AND EXTERIOR PROJECTIONS TO REMAIN CLEAR OF ANY OBSTRUCTIONS.



FINISHED OPENING WIDTH: 14'-0"

FINISHED SECTION WIDTH: 13'-10"
TOTAL SYSTEM WIDTH: 15'-3"

FINISHED OPENING HEIGHT: 18'-0"

FINISHED SECTION HEIGHT: 17'-8"
CLEAR OPENING HEIGHT: 16'-5 1/2"
TOTAL SYSTEM HEIGHT: 19'-7 1/2"

*FINISHED OPENINGS BY OTHERS; CONFIRMED BY GC TO BE PLUMB AND SQUARE

DOOR NUMBER: DW1

THE DESIGNS AND DETAILS HEREIN ARE THE PROPERTY OF DOORWALL SYSTEMS CORPORATION. USE IS GRANTED FOR THE SOLE PURPOSE OF INTEGRATION OF OUR PRODUCT INTO YOUR PROJECT. BASED ON MFG. ALLOWABLE TOLERANCES.

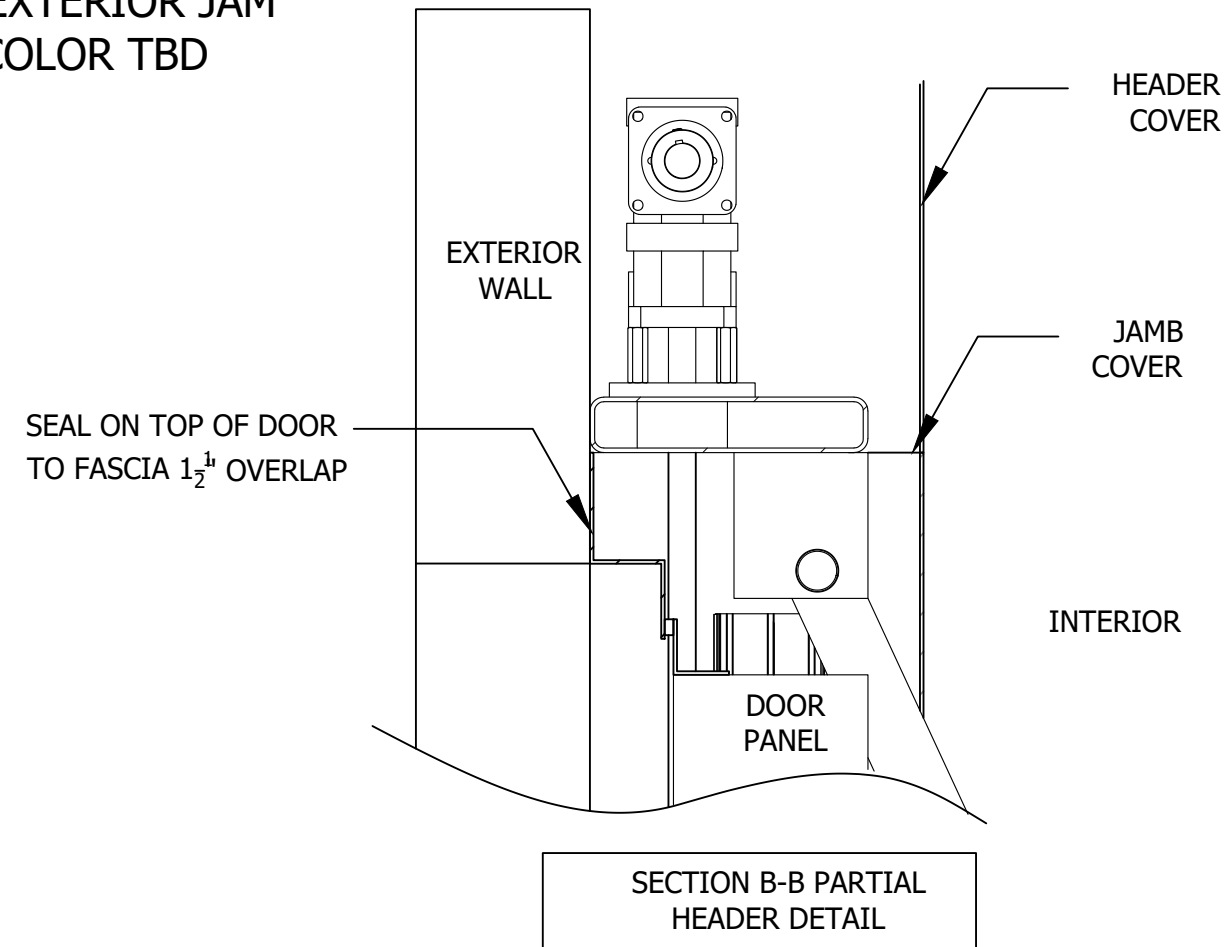
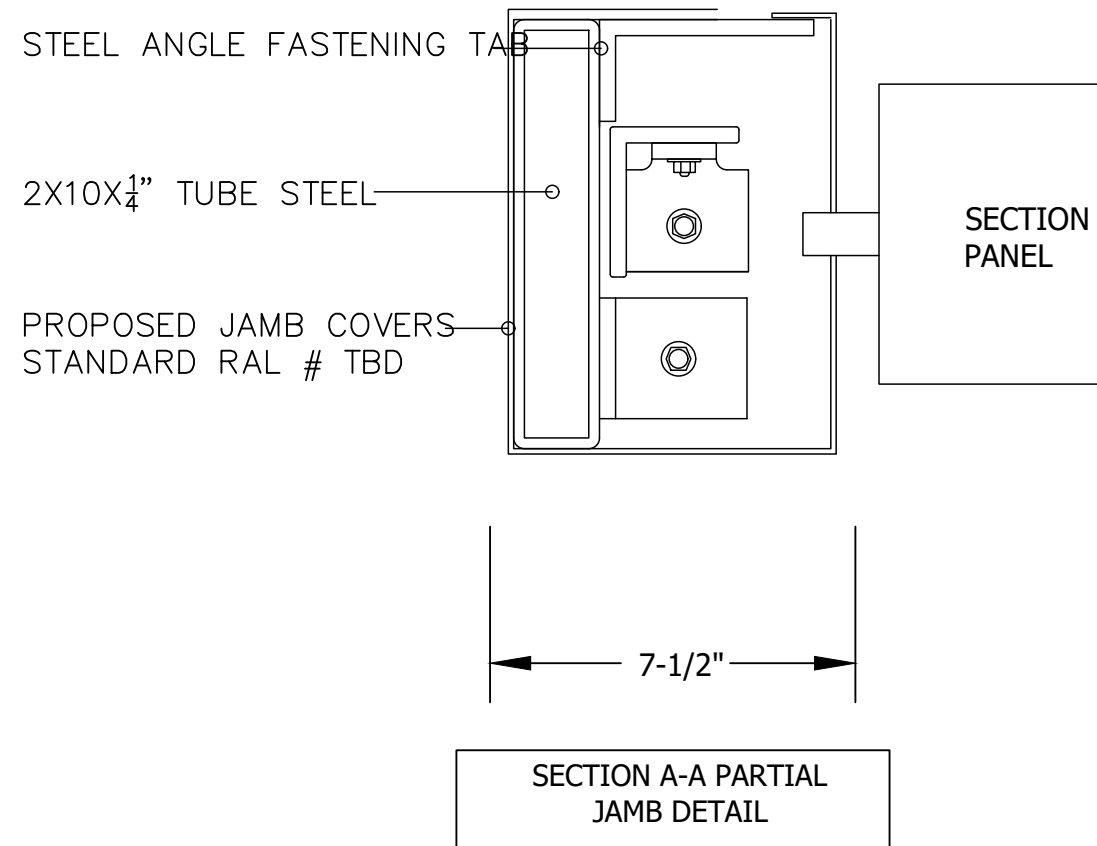


50 Main Street, Suite 1000
White Plains, NY 10606
Phone: 844-492-7233
info@doorwallsystems.com

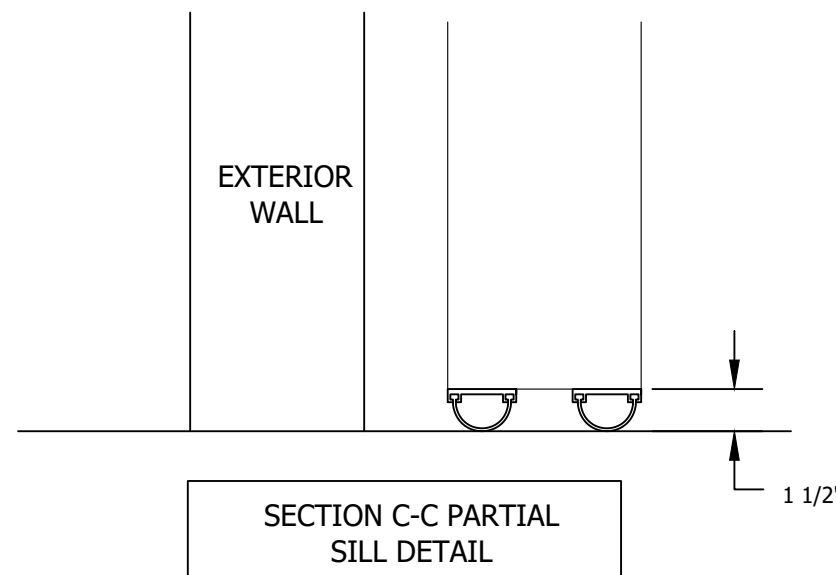
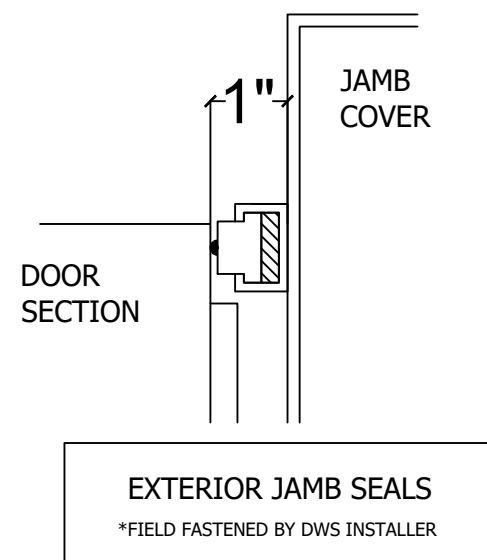
Project:	
Architect:	
Drawn by:	D.T.
Date:	
Revisions:	
Project No.	2

EXAMPLE DOORWALL SYSTEMS ARC 3-D DUO

EXPOSED EXTERIOR JAM COVERS -COLOR TBD




FINISHED OPENING WIDTH:	14'-0"
FINISHED SECTION WIDTH:	13'-10"
TOTAL SYSTEM WIDTH:	15'-3"
FINISHED OPENING HEIGHT:	18'-0"
FINISHED SECTION HEIGHT:	17'-8"
CLEAR OPENING HEIGHT:	16'-5 $\frac{1}{2}$ "
TOTAL SYSTEM HEIGHT:	19'-7 $\frac{1}{2}$ "
*FINISHED OPENINGS BY OTHERS; CONFIRMED BY GC TO BE PLUMB AND SQUARE	

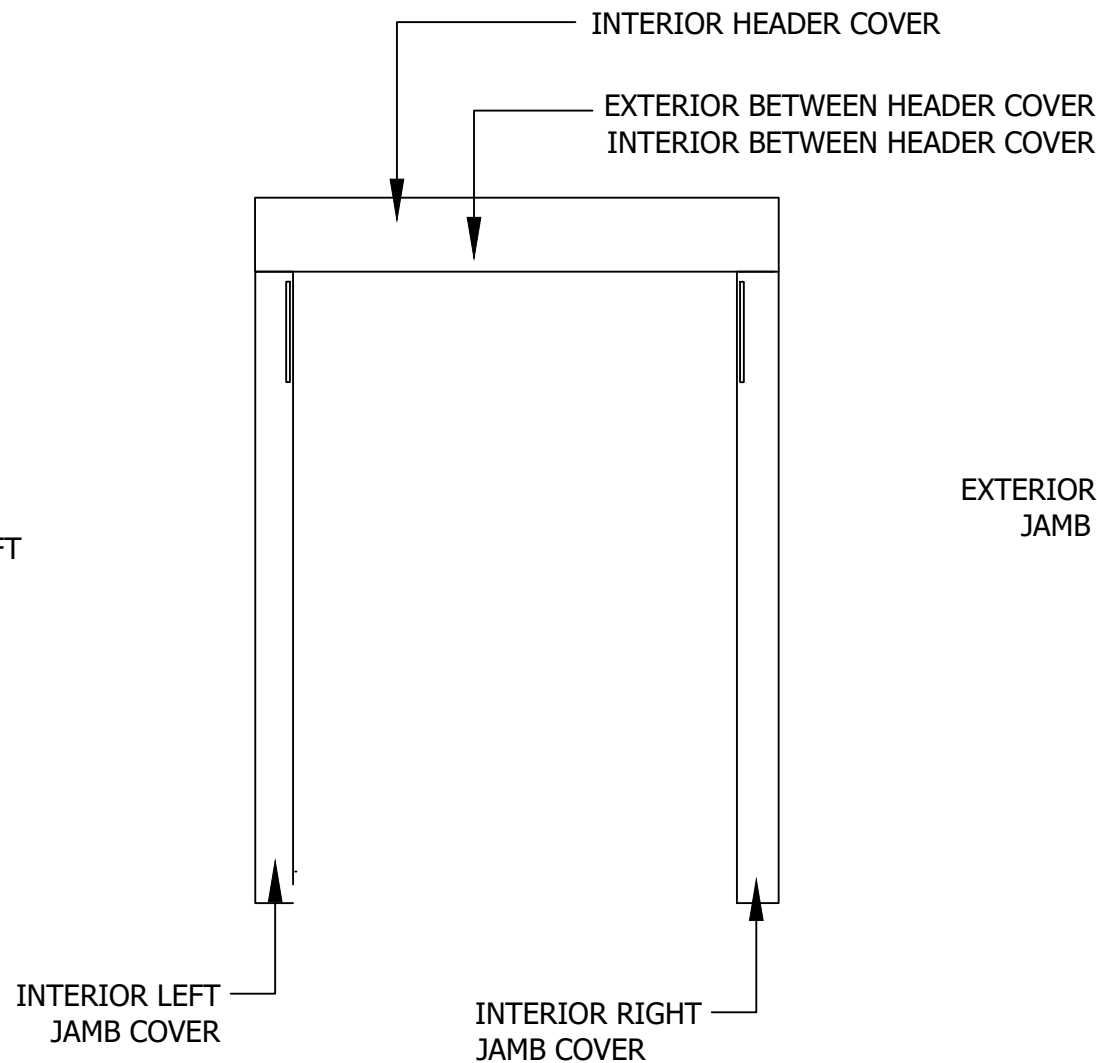
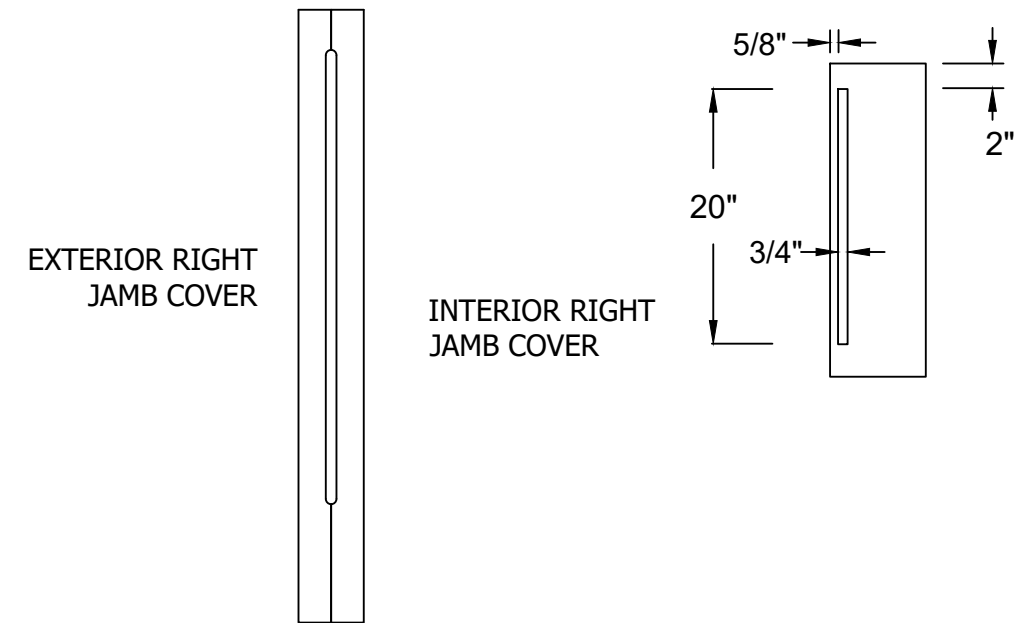
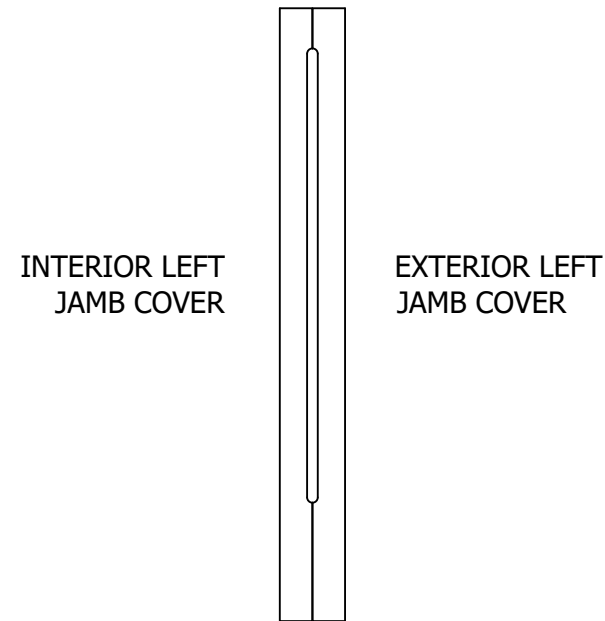
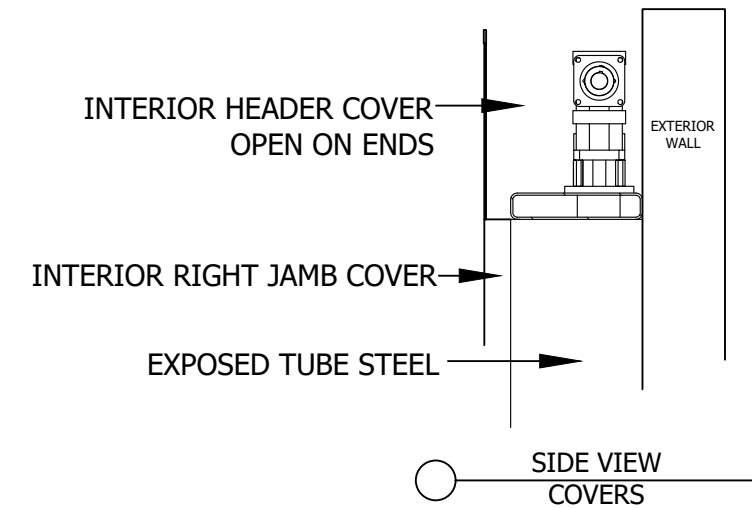
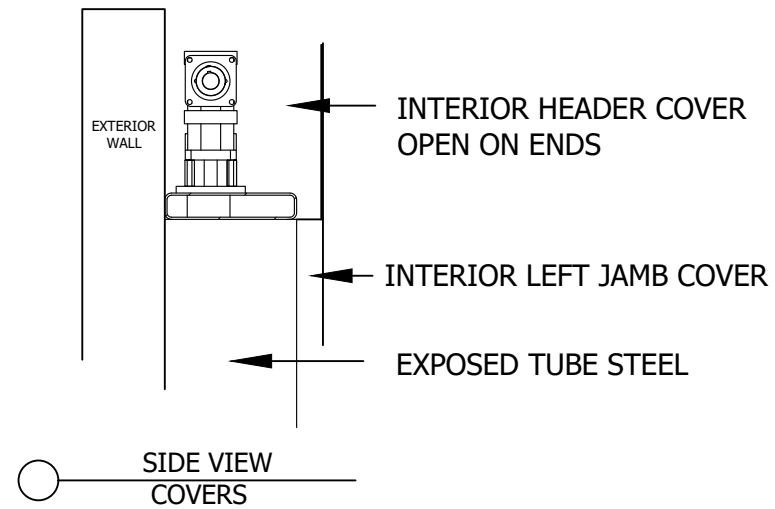


DOOR NUMBER: DW1

THE DESIGNS AND DETAILS HEREIN ARE THE PROPERTY OF DOORWALL SYSTEMS CORPORATION. USE IS GRANTED FOR THE SOLE PURPOSE OF INTEGRATION OF OUR PRODUCT INTO YOUR PROJECT. BASED ON MFG. ALLOWABLE TOLERANCES.

 <p>50 Main Street, Suite 1000 White Plains, NY 10606 Phone: 844-492-7233 info@doorwallsystems.com</p>	Project:	
	Architect:	
	Drawn by:	D.T.
	Date:	
	Revisions:	
Project No.		3

EXAMPLE DOORWALL SYSTEMS ARC 3-D DUO



DOOR UP VIEW
JAMB COVERS

DOOR UP VIEW
JAMB COVERS

ELEVATION - INTERIOR
COVERS

DOOR NUMBER: DW1

**FINISHED OPENING
WIDTH: 14'-0"**

FINISHED SECTION WIDTH: 13'-10"
TOTAL SYSTEM WIDTH: 15'-3"

**FINISHED OPENING
HEIGHT: 18'-0"**

FINISHED SECTION HEIGHT: 17'-8"
CLEAR OPENING HEIGHT: 16'-5 1/2"
TOTAL SYSTEM HEIGHT: 19'-7 1/2"

*FINISHED OPENINGS BY OTHERS; CONFIRMED
BY GC TO BE PLUMB AND SQUARE

*INTERIOR WALLS AND CEILING AT OPENING SHALL REMAIN UNFINISHED
UNTIL DOORWALL SYSTEM INSTALLATION IS COMPLETE
COVERS SHALL NEED CLEAR ACCESS TO BE REMOVED

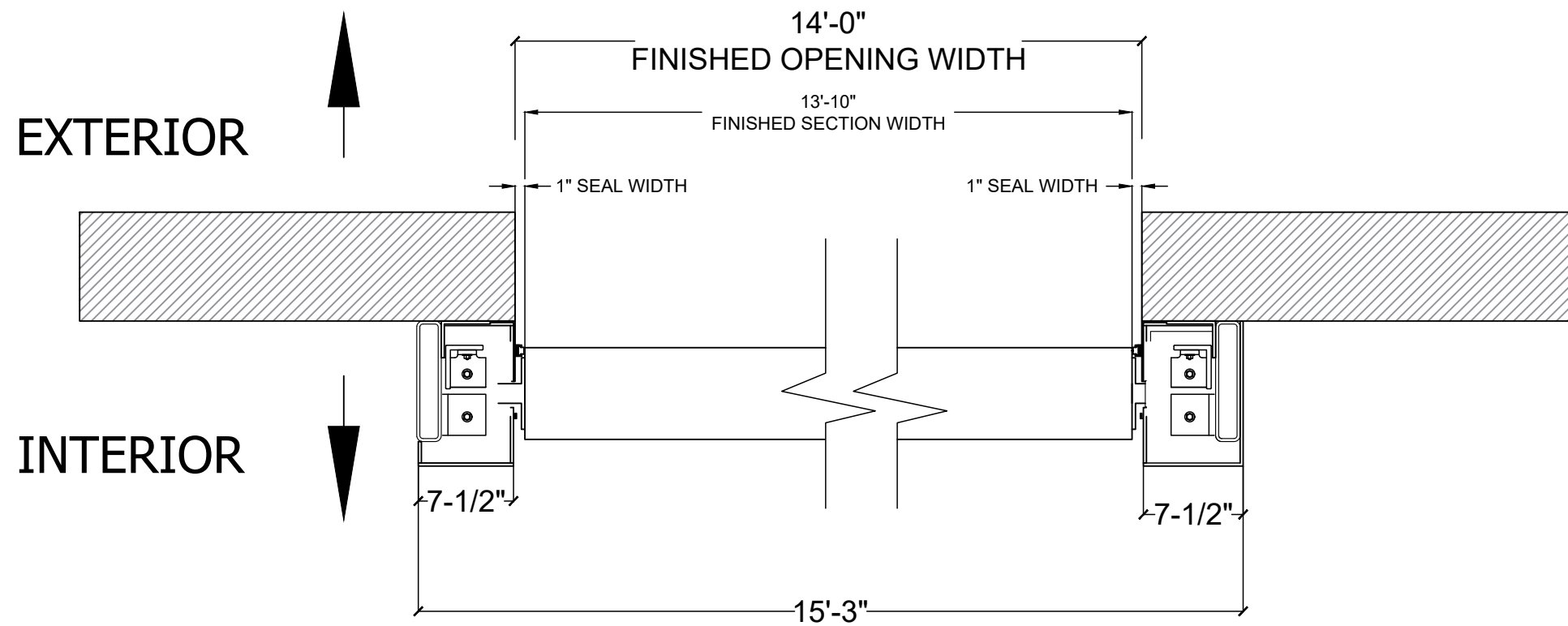
THE DESIGNS AND DETAILS HEREIN ARE THE PROPERTY OF DOORWALL SYSTEMS CORPORATION. USE IS GRANTED FOR THE SOLE PURPOSE OF INTEGRATION OF OUR PRODUCT INTO YOUR PROJECT. BASED ON MFG. ALLOWABLE TOLERANCES.



50 Main Street, Suite 1000
White Plains, NY 10606
Phone: 844-492-7233
info@doorwallsystems.com

Project:	
Architect:	
Drawn by:	D.T.
Date:	
Revisions:	
Project No.	4

EXAMPLE DOORWALL SYSTEMS ARC 3-D DUO



**FINISHED OPENING
WIDTH: 14'-0"**

FINISHED SECTION WIDTH: 13'-10"
TOTAL SYSTEM WIDTH: 15'-3"

**FINISHED OPENING
HEIGHT: 18'-0"**

FINISHED SECTION HEIGHT: 17'-8"
CLEAR OPENING HEIGHT: 16'-5 1/2"
TOTAL SYSTEM HEIGHT: 19'-7 1/2"

*FINISHED OPENINGS BY OTHERS; CONFIRMED
BY GC TO BE PLUMB AND SQUARE

DOOR NUMBER: DW1

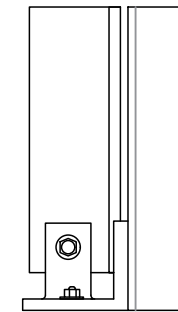
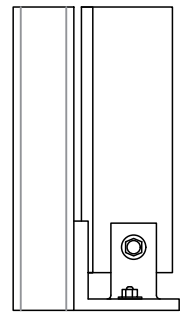
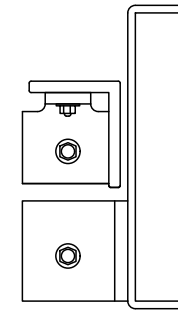
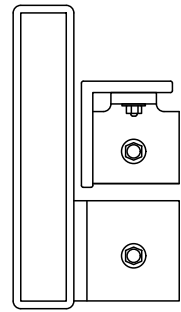
THE DESIGNS AND DETAILS HEREIN ARE THE PROPERTY OF DOORWALL SYSTEMS CORPORATION. USE IS GRANTED FOR THE SOLE PURPOSE OF INTEGRATION OF OUR PRODUCT INTO YOUR PROJECT. BASED ON MFG. ALLOWABLE TOLERANCES.



50 Main Street, Suite 1000
White Plains, NY 10606
Phone: 844-492-7233
info@doorwallsystems.com

Project:	
Architect:	
Drawn by:	D.T.
Date:	
Revisions:	
Project No.	5

EXAMPLE
DOORWALL SYSTEMS ARC 3-D DUO



LEFT SIDE FLOOR MOUNTING

RIGHT SIDE FLOOR MOUNTING

**FINISHED OPENING
WIDTH: 14'-0"**

FINISHED SECTION WIDTH: 13'-10"
TOTAL SYSTEM WIDTH: 15'-3"

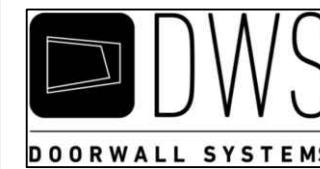
**FINISHED OPENING
HEIGHT: 18'-0"**

FINISHED SECTION HEIGHT: 17'-8"
CLEAR OPENING HEIGHT: 16'-5½"
TOTAL SYSTEM HEIGHT: 19'-7½"

*FINISHED OPENINGS BY OTHERS; CONFIRMED
BY GC TO BE PLUMB AND SQUARE

DOOR NUMBER: DW1

THE DESIGNS AND DETAILS HEREIN ARE THE PROPERTY OF DOORWALL SYSTEMS CORPORATION. USE IS GRANTED FOR THE SOLE PURPOSE OF INTEGRATION OF OUR PRODUCT INTO YOUR PROJECT. BASED ON MFG. ALLOWABLE TOLERANCES.



50 Main Street, Suite 1000
White Plains, NY 10606
Phone: 844-492-7233
info@doorwallsystems.com

Project:	
Architect:	
Drawn by:	D.T.
Date:	
Revisions:	
Project No.	6